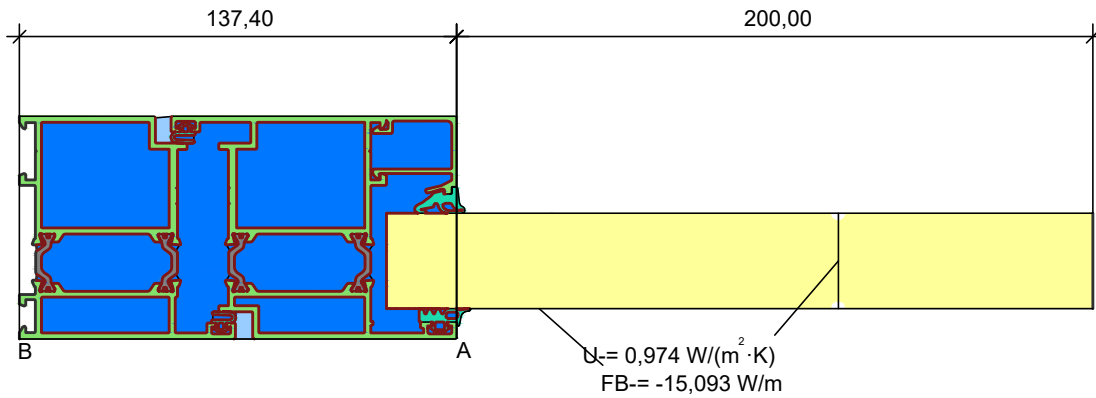


# ICON 70D GİRİŞ KAPI SİSTEMİ ENTRANCE DOOR SYSTEM

<b>X</b>	ISI HESAPLARI ve PERFORMANS THERMAL CALCULATIONS and PERFORMANCE.....	X-01 / X-04
<b>A</b>	ALUMİNYUM PROFİLLER ALUMINIUM PROFILES .....	A-01 / A-06
<b>B</b>	CAM MONTAJ TALİMATI GLAZING ASSEMBLY.....	B-01 / B-03
<b>C</b>	CONTALAR GASKETS .....	C-01 / C-03
<b>D</b>	AKSESUARLAR ACCESSORIES .....	D-01 / D-10
<b>E</b>	TAM ÖLÇEKLİ PROFİLLER FULL SCALE PROFILES.....	E-01 / E-20
<b>F</b>	PRENSİP SİSTEM DETAYLARI PRINCIPAL SECTIONS.....	F-01 / F-38
<b>G</b>	ÜRETİM TALİMATLARI MANUFACTURING INSTRUCTIONS.....	G-01 / G-43

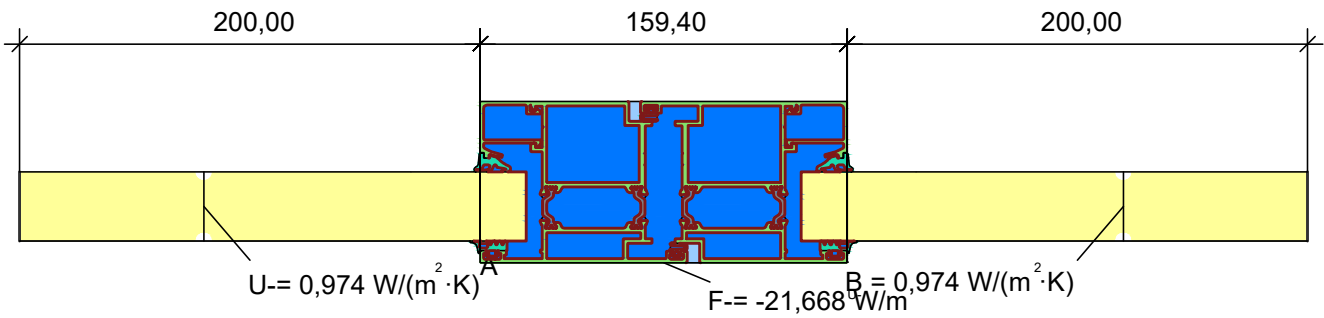
ICON 70D  
GİRİŞ KAPI SİSTEMİ  
ENTRANCE DOOR SYSTEM

THERMAL HESAPLAR ve PERFORMANS  
THERMAL CALCULATIONS  
and PERFORMANCE



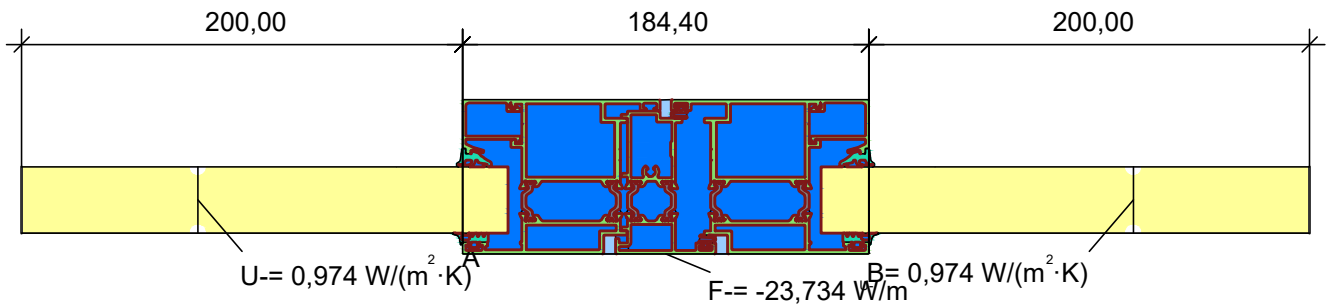
$$U_{f A,B} = \frac{\frac{\Phi}{DT} \cdot U_p \cdot b_p}{b_f} = \frac{\frac{15,093}{24,000} \cdot 0,974 \cdot 0,200}{0,137} = 3,16 \text{ W}/(\text{m}^2 \cdot \text{K})$$

Material	$\lambda$ [W/(m·K)]	$\epsilon$	Boundary Condition	$q$ [W/m <sup>2</sup> ]	$R$ [(m <sup>2</sup> ·K)/W]	$\epsilon$
Aluminium (Si alloys)	160,000	0,900	Epsilon 0.9			0,900
EPDM (ethylene propylene diene monomer)	0,250	0,900	Exterior, frame	-5,000	0,040	
Panel	0,035	0,900	Interior, frame, normal	20,000	0,130	
Polyamid 6.6 with 25% glass fibre	0,300	0,900	Interior, frame, reduced	20,000	0,200	
Slightly ventilated air cavity	anisotropic		Symmetry/Model section	0,000		
Unventilated air cavity	anisotropic					



$$U_{f,A,B} = \frac{\Phi}{DT} = \frac{21,668}{24,000} - 0,974 \cdot 0,200 - 0,974 \cdot 0,200 = 3,22 \text{ W/(m}^2 \cdot \text{K)}$$

Material	$\lambda$ [W/(m·K)]	$\epsilon$	Boundary Condition	$q$ [W/m <sup>2</sup> ]	$\theta$ [C]	$R$ [(m <sup>2</sup> ·K)/W]	$\epsilon$
Aluminium (Si alloys)	160,000	0,900	Epsilon 0.9				0,900
EPDM (ethylene propylene diene monomer)	0,250	0,900	Exterior, frame	-5,000		0,040	
Panel	0,035	0,900	Interior, frame, normal	20,000		0,130	
Polyamid 6.6 with 25% glass fibre	0,300	0,900	Interior, frame, reduced	20,000		0,200	
Slightly ventilated air cavity	anisotropic		Symmetry/Model section	0,000			
Unventilated air cavity	anisotropic						

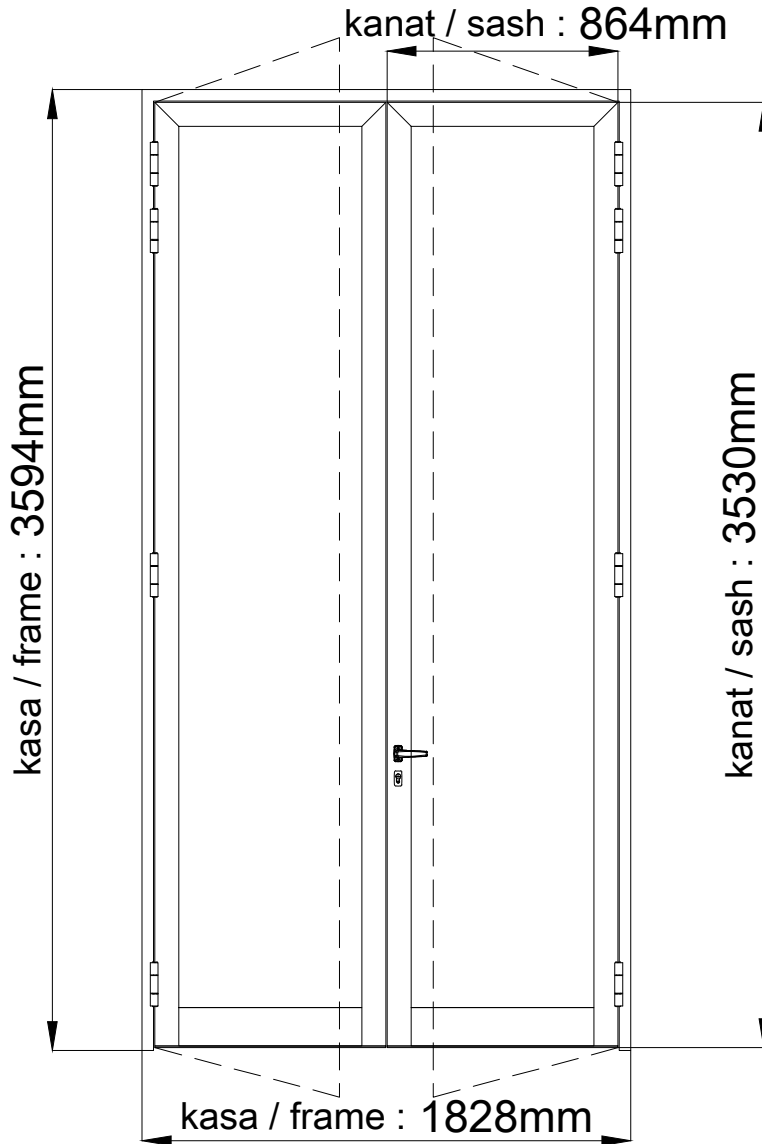


$$U_{f,A,B} = \frac{\Phi}{DT} = \frac{23,734}{24,000} - \frac{0,974 \cdot 0,200 - 0,974 \cdot 0,200}{0,184} = 3,25 \text{ W/(m} \cdot \text{K)}$$

Material	$\lambda$ [W/(m·K)]	$\epsilon$	Boundary Condition	$q$ [W/m <sup>2</sup> ]	$\theta$ [C]	$R$ [(m·K)/W]	$\epsilon$
Aluminium (Si alloys)	160,000	0,900	Epsilon 0.9				0,900
EPDM (ethylene propylene diene monomer)	0,250	0,900	Exterior, frame	-5,000		0,040	
Panel	0,035	0,900	Interior, frame, normal	20,000		0,130	
Polyamid 6.6 with 25% glass fibre	0,300	0,900	Interior, frame, reduced	20,000		0,200	
Slightly ventilated air cavity	anisotropic		Symmetry/Model section	0,000			
Unventilated air cavity	anisotropic						

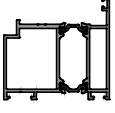
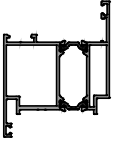
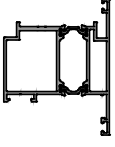
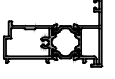
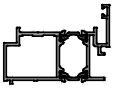
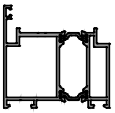
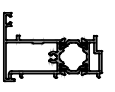
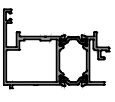

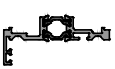
# ICON 70D GİRİŞ KAPI SİSTEMİ ENTRANCE DOOR SYSTEM

TEST ÜNİTESİ test specimen	MEKANİK DAYANIKLILIK mechanical durability	RAPOR NO report no
	EN 1191:2012 10.000 tekrarlı açma-kapatma testi 10.000cycles repeated opening&closing test	PFB rosenheim 17/07-A006-B1

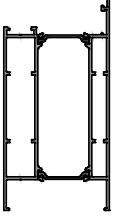
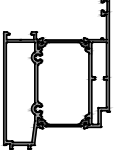
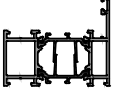
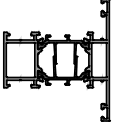
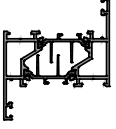
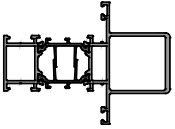
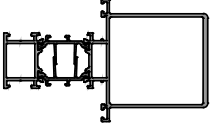
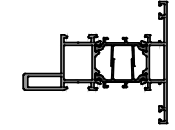
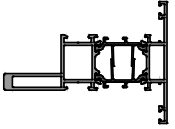


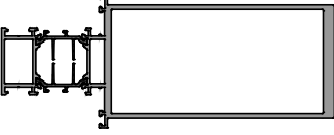
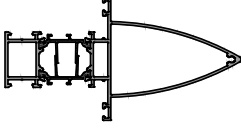

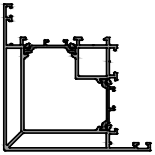
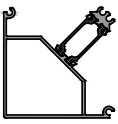
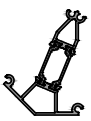
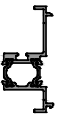


ICON 70D  
GİRİŞ KAPI SİSTEMİ  
ENTRANCE DOOR SYSTEM



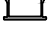



ALUMİNYUM PROFİLLER  
ALUMINIUM PROFILES






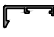




PROFİL ŞEKLİ PROFILE SECTION	PROFİL ADI PROFILE NO	KALIP KODU DIE NO	PROFİL TANIMI PROFILE DESCRIPTION	AĞIRLIK WEIGHT
	P 1205	13917 + 13918	KASA PROFİLİ frame profile	1,955kg/mt
	P 1206	13919 + 13920	KANAT PROFİLİ sash profile	2,115kg/mt
	P 1207	13917 + 13921	KANAT PROFİLİ sash profile	2,120kg/mt
	P 1208	13922 + 13923	ÇİFT KANAT ADAPTÖR PROFİLİ double sash adapter profile	1,275kg/mt
	P 1209	13924 + 13925	İÇE AÇILIR ÇİFT KANAT KAPI GEÇİŞ ADAPTÖR PROFİLİ	1,515kg/mt
	P 1210	13919 + 13926	DIŞA AÇILIR KAPI KASA PROFİLİ	2,015kg/mt
	P 1211	13927 + 13928	ÇİFT KANAT ADAPTÖR PROFİLİ double sash adapter profile	1,295kg/mt
	P 1212	13929 + 13930	DIŞA AÇILIR ÇİFT KANAT KAPI GEÇİŞ ADAPTÖR PROFİLİ	1,510kg/mt
	P 1213	13931 + 13931	ETEK için EK FIRCA PROFİLİ additional brush profile for sill	0,900kg/mt
	P 1214	13932 + 13931	ETEK için EK FIRCA PROFİLİ additional brush profile for sill	0,990kg/mt

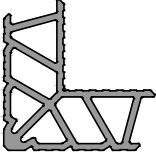


PROFİL ŞEKLİ PROFILE SECTION	PROFİL ADI PROFILE NO	KALIP KODU DIE NO	PROFİL TANIMI PROFILE DESCRIPTION	AĞIRLIK WEIGHT
	P 1215	13933 + 13934	ETEK PROFİLİ sill profile	3,150kg/mt
	P 1334	14211 + 14220	ETEK YÜKSELTME PROFİLİ additional sill profile	2,310kg/mt
	P 1153	13102 + 13103	36mm L KASA PROFİLİ 36mm L frame profile	1,690kg/mt
	P 1152	13102 + 13104	36mm ORTA KAYIT PROFİLİ 36mm mullion profile	1,835kg/mt
	P 1536	15289 + 15289	Z KASA PROFİLİ Z frame profile	1,890kg/mt
	P 1150	13102 + 13105	36mm TAKVİYELİ ORTA KAYIT PROFİLİ 36mm mullion profile with reinforcement	2,555kg/mt
	P 1151	13102 + 13106	36mm TAKVİYELİ ORTA KAYIT PROFİLİ 36mm mullion profile with reinforcement	3,005kg/mt
	P 1623	16422 + 13104	36.6mm ORTA KAYIT PROFİLİ 36.6mm mullion profile	2,150kg/mt
	P 1707	17018 + 13104	36.6mm ORTA KAYIT PROFİLİ 36.6mm mullion profile	2,340kg/mt

PROFİL ŞEKLİ PROFILE SECTION	PROFİL ADI PROFILE NO	KALIP KODU DIE NO	PROFİL TANIMI PROFILE DESCRIPTION	AĞIRLIK WEIGHT
	P 1955	14209 + 15408	44mm TAKVİYELİ PROFİL 44mm reinforcement profile	6,227kg/mt
	P 2136	13102 + 17758	36,6mm TAKVİYELİ PROFİL 36,6mm reinforcement profile	2,665kg/mt
	P 1539	15312 + 15345	AÇILI BİRLEŞİM GEÇİŞ PROFİLİ adepter profile for segmented windows	1,465kg/mt
	P 1540	15346 + 15298	90° KÖŞE KASA PROFİLİ 90° corner frame profile	2,845kg/mt
	P 1541	15347 + 15300	90° KÖŞE ADAPTÖR PROFİLİ internal-external 90° corner adepter profile	1,755kg/mt
	P 1542	15348 + 15302	135° KÖŞE ADAPTÖR PROFİLİ internal-external 135° corner adepter profile	1,175kg/mt
	P 1220	13954 + 13955	CEPHE BİRLEŞİMİ ADAPTÖR PROFİLİ adepter profile for facade connecting	0,985kg/mt
	P 1216	13935	EŞİK PROFİLİ threshold profile	0,320kg/mt
	P 1217	13936	EŞİK PROFİLİ threshold profile	0,915kg/mt

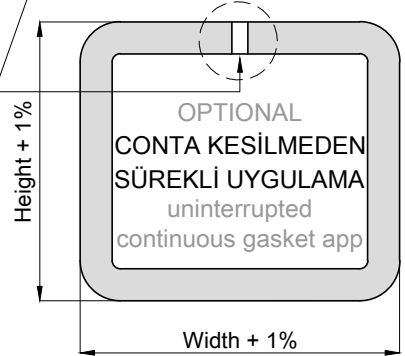
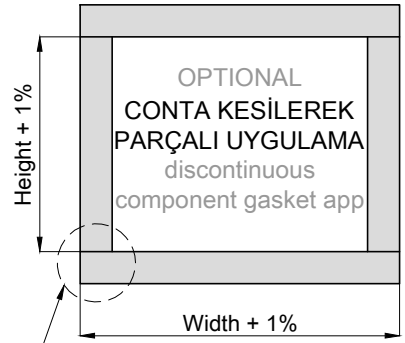
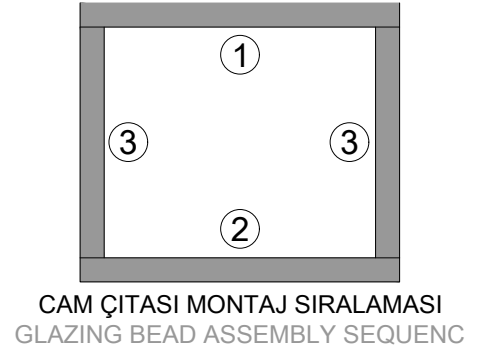
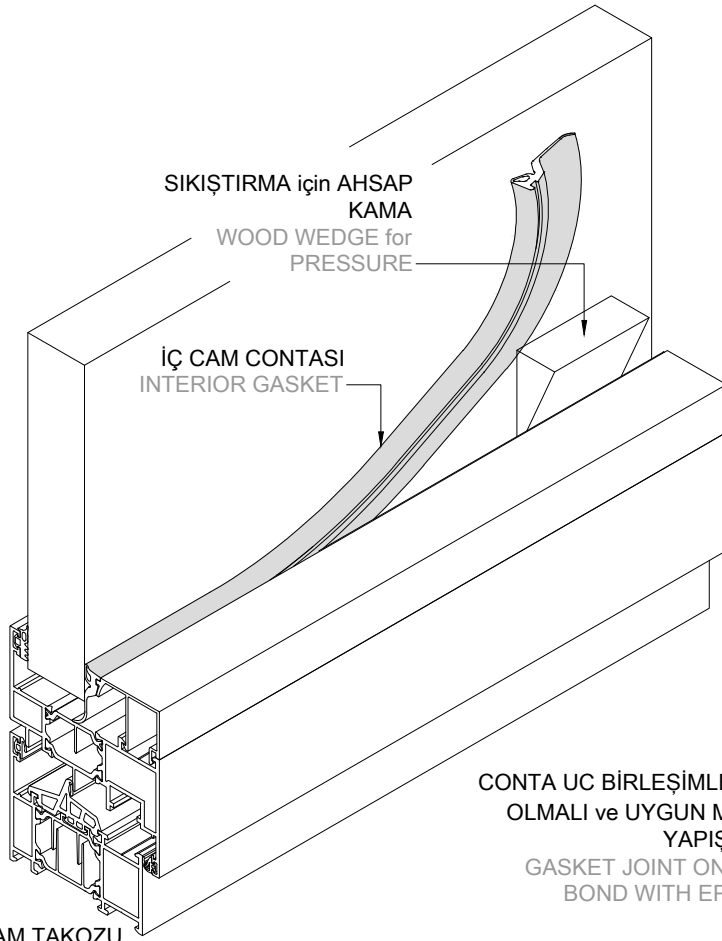
PROFİL ŞEKLİ PROFILE SECTION	PROFİL ADI PROFILE NO	KALIP KODU DIE NO	PROFİL TANIMI PROFILE DESCRIPTION	AĞIRLIK WEIGHT
	P 1218	13952	ETEK için EK FIRÇA PROFİLİ additional brush profile for sill	0,380kg/mt
	P 1219	13953	ETEK ALT FIRÇA PROFİLİ brush profile for sill	0,405kg/mt
	P 1218	13952	ETEK için EK FIRÇA PROFİLİ additional brush profile for sill	0,380kg/mt
	P 1433	13956	KANAL KAPATMA PROFİLİ channel closing profile	0,235kg/mt
	P 1496	15308	2mm CAM ÇITASI 2mm glazing bead profile	0,245kg/mt
	P 1495	15307	6mm CAM ÇITASI 6mm glazing bead profile	0,270kg/mt
	P 1494	15306	10mm CAM ÇITASI 10mm glazing bead profile	0,325kg/mt
	P 1176	13698	14mm CAM ÇITASI 14mm glazing bead profile	0,335kg/mt
	P 1179	13671	18mm CAM ÇITASI 18mm glazing bead profile	0,350kg/mt
	P 2167	17976	22mm CAM ÇITASI 22mm glazing bead profile	0,355kg/mt

PROFİL ŞEKLİ PROFILE SECTION	PROFİL ADI PROFILE NO	KALIP KODU DIE NO	PROFİL TANIMI PROFILE DESCRIPTION	AĞIRLIK WEIGHT
	P 1180	13670	27mm CAM ÇITASI 27mm glazing bead profile	0,380kg/mt
	P 1158	13111	31mm CAM ÇITASI 31mm glazing bead profile	0,365kg/mt
	P 1498	15310	36mm CAM ÇITASI 36mm glazing bead profile	0,415kg/mt
	P 1497	15309	40mm CAM ÇITASI 40mm glazing bead profile	0,435kg/mt
	P 1499	15311	DIŞTAN EK CAM ÇITASI glazing bead profile for outside	0,235kg/mt
	P 1760	16214	40mm PERVAZ PROFİLİ 40mm architrave profile	0,290kg/mt
	P 1177	12917	40mm PERVAZ PROFİLİ 40mm architrave profile	0,300kg/mt
	P 1178	13250	50mm PERVAZ PROFİLİ 50mm architrave profile	0,375kg/mt
	P 1222	12795	68mm PERVAZ PROFİLİ 68mm architrave profile	0,760kg/mt
	P 2112	17164	50mm PERVAZ PROFİLİ 50mm architrave profile	0,775kg/mt

PROFİL ŞEKLİ PROFILE SECTION	PROFİL ADI PROFILE NO	KALIP KODU DIE NO	PROFİL TANIMI PROFILE DESCRIPTION	AĞIRLIK WEIGHT
	P 1761	16210	40mm UZUN PERVAZ PROFİLİ 40mm long architrave profile	0,890kg/mt
	P 1221	3223	32,9mm KÖŞE TAKOZ PROFİLİ 32,9mm corner cleat profile	7,065kg/mt
	P 1118	5542	22,5mm KÖŞE TAKOZ PROFİLİ 22,5mm corner cleat profile	7,285kg/mt
	P 1116	13248	39,8mm KÖŞE TAKOZ PROFİLİ 39,8mm corner cleat profile	5,710kg/mt
	P 1597	340	55,8mm KÖŞE TAKOZ PROFİLİ 55,8mm corner cleat profile	10,525kg/mt

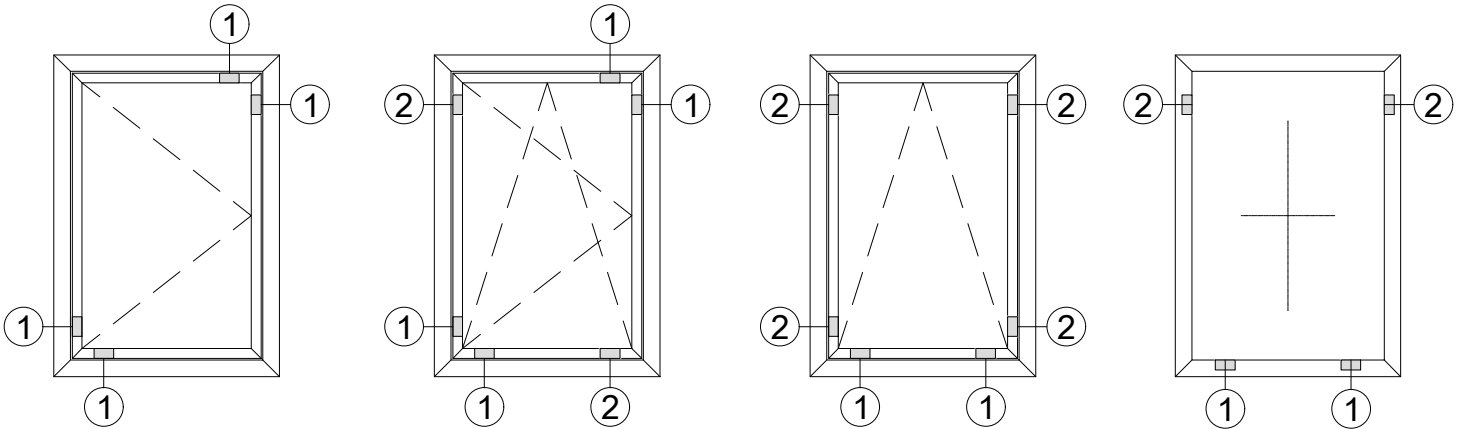
ICON 70D  
GİRİŞ KAPI SİSTEMİ  
ENTRANCE DOOR SYSTEM

CAM MONTAJ TALİMATI  
GLAZING ASSEMBLY



- ① CAM TAKOZU  
Cam takozları yerlesimi altta bulunan sematik çizimde gösterilmiştir. takozların kenara mesafeleri kanat ölçüsünün 5/1 i yada 10/1 i kadar olmalıdır.  
GLASS CLEATS  
The assembly of glass reinforcement pieces has been showed at the top schematically. The gap distance to the corner should be, the 5/1 or 10/1 of the sash size.

- ② MESAFE AYARLAMA TAKOZU  
Mesafe ayar takozları camın alüminyum çerçeve içinde doğru pozisyonda stabil olarak durmasını sağlar. cam ile profil arasına takozları zorlamadan yerleştiriniz.  
DISTANCE ADJUSTMENT PIECE  
Distance adjustment pieces stabilize the glass in the frame at the true position. Put the distance adjustment piece between glass and profile without using force.

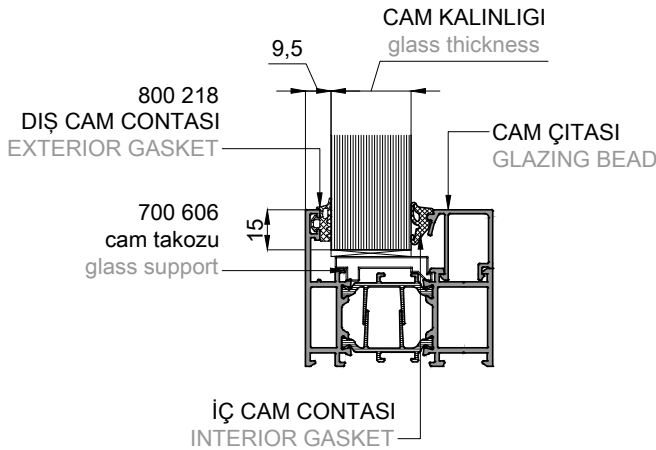


AKSESUAR ve DONANIM MONTAJINDAN ÖNCE, CAM ve TAKOZLAMA İŞLEMİ YAPILMALIDIR. THE PANE MUST BE SHIMMED IN THE SASH SO THAT THE SASH OPERATES WITHOUT ADJUSTMENT OF THE HARDWARE.

① TAŞIYICI TAKOZ (GLASS CLEAT) ② AYAR TAKOZU (ADJUSTMENT PIECE)

CAM KALINLIĞI glass thickness	ÇITA glazing bead		CAM CONTASI glazing gasket	
	profil section	kod code	perdeli conta with fin gasket	standart conta without fin gasket
16mm	P 1498 (36mm) 36		800 233 (6mm)	800 271 (6mm)
18mm	P 1158 (31mm) 31		800 296 (10mm)	800 278 (10mm)
20mm			800 252 (8mm)	800 277 (8mm)
22mm			800 233 (6mm)	800 271 (6mm)

CAM KALINLIĞI glass thickness	ÇITA glazing bead		CAM CONTASI glazing gasket	
	profil section	kod code	perdeli conta with fin gasket	standart conta without fin gasket
24mm	P 1180 (27mm) 27		800 252 (8mm)	800 277 (8mm)
26mm			800 233 (6mm)	800 271 (6mm)
28mm	P 2167 (22mm) 22		800 252 (8mm)	800 277 (8mm)
30mm			800 233 (6mm)	800 271 (6mm)
32mm	P 1179 (18mm) 18		800 252 (8mm)	800 277 (8mm)
34mm			800 233 (6mm)	800 271 (6mm)
36mm	P 1176 (14mm) 14		800 252 (8mm)	800 277 (8mm)
38mm			800 233 (6mm)	800 271 (6mm)
40mm	P 1494 (10mm) 10		800 252 (8mm)	800 277 (8mm)
42mm			800 233 (6mm)	800 271 (6mm)
44mm	P 1495 (6mm) 6		800 252 (8mm)	800 277 (8mm)
46mm			800 233 (6mm)	800 271 (6mm)
48mm	P 1496 (2mm) 2		800 252 (8mm)	800 277 (8mm)
50mm			800 233 (6mm)	800 271 (6mm)
52mm			800 297 (4mm)	800 228 (4mm)

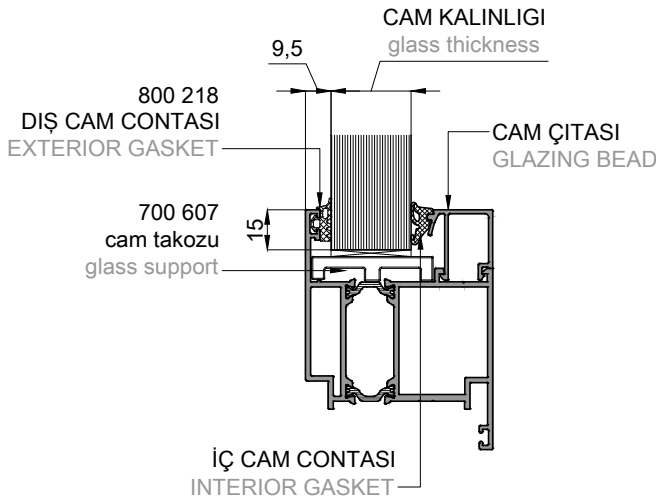


Yanda tablodaki veriler teoriktir.  
Lütfen cam ve conta toleranslarını dikkate alınız.  
selection tables promise a first planning.  
Please keep the glass and gasket tolerances in mind.



CAM KALINLIĞI glass thickness	ÇİTA glazing bead		CAM CONTASI glazing gasket	
	profil section	kod code	perdeli conta with fin gasket	standart conta without fin gasket
16mm	P 1498 (36mm) 36		800 233 (6mm)	800 271 (6mm)
18mm	P 1158 (31mm) 31		800 296 (10mm)	800 278 (10mm)
20mm			800 252 (8mm)	800 277 (8mm)
22mm			800 233 (6mm)	800 271 (6mm)











CAM KALINLIĞI glass thickness	ÇİTA glazing bead		CAM CONTASI glazing gasket	
	profil section	kod code	perdeli conta with fin gasket	standart conta without fin gasket
24mm	P 1180 (27mm) 27		800 252 (8mm)	800 277 (8mm)
26mm			800 233 (6mm)	800 271 (6mm)
28mm	P 2167 (22mm) 22		800 252 (8mm)	800 277 (8mm)
30mm			800 233 (6mm)	800 271 (6mm)
32mm	P 1179 (18mm) 18		800 252 (8mm)	800 277 (8mm)
34mm			800 233 (6mm)	800 271 (6mm)
36mm	P 1176 (14mm) 14		800 252 (8mm)	800 277 (8mm)
38mm			800 233 (6mm)	800 271 (6mm)
40mm	P 1494 (10mm) 10		800 252 (8mm)	800 277 (8mm)
42mm			800 233 (6mm)	800 271 (6mm)
44mm	P 1495 (6mm) 6		800 252 (8mm)	800 277 (8mm)
46mm			800 233 (6mm)	800 271 (6mm)
48mm	P 1496 (2mm) 2		800 252 (8mm)	800 277 (8mm)
50mm			800 233 (6mm)	800 271 (6mm)
52mm			800 297 (4mm)	800 228 (4mm)




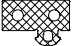

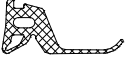




Yanda tablodaki veriler teoriktir.  
Lütfen cam ve conta toleranslarını dikkate alınız.  
selection tables promise a first planning.  
Please keep the glass and gasket tolerances in mind.

ICON 70D  
GİRİŞ KAPI SİSTEMİ  
ENTRANCE DOOR SYSTEM

CONTALAR  
GASKETS

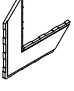
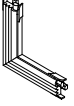


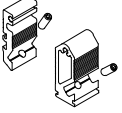




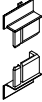
CONTA ŞEKLİ GASKET SECTION	CONTA KODU GASKET NO	MALZEME MATERIAL	CONTA TANIMI GASKET DESCRIPTION	PAKET PACKAGE
	800 218	EPDM	DIŞ CAM CONTASI exterior glazing gasket	200mt/pk 0,072kg/mt
	800 228	EPDM	4mm İÇ CAM CONTASI 4mm interior glazing gasket	185mt/pk 0,081kg/mt
	800 233	EPDM	6mm PERDELİ İÇ CAM CONTASI 6mm interior glazing gasket	125mt/pk 0,117kg/mt
	800 234	EPDM	Ø4mm YUVARLAK CONTA Ø4 oring gasket	500mt/pk 0,017kg/mt
	800 252	EPDM	8mm PERDELİ İÇ CAM CONTASI 8mm interior glazing gasket	100mt/pk 0,150kg/mt
	800 271	EPDM	6mm İÇ CAM CONTASI 6mm interior glazing gasket	185mt/pk 0,081kg/mt
	800 272	EPDM	PERVAZ BİNİ CONTASI overlap gasket for architrave	415mt/pk 0,036kg/mt
	800 277	EPDM	8mm İÇ CAM CONTASI 8mm interior glazing gasket	165mt/pk 0,092kg/mt
	800 278	EPDM	10mm İÇ CAM CONTASI 10mm interior glazing gasket	115mt/pk 0,130kg/mt
	800 285	EPDM	KAPI ALTI CONTASI bottom gasket for sill	285mt/pk 0,060kg/mt

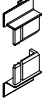
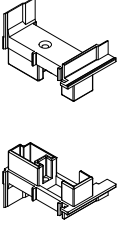
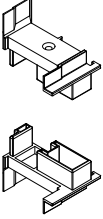
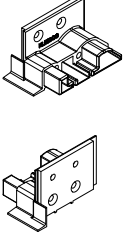

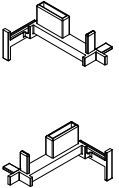
CONTA ŞEKLİ GASKET SECTION	CONTA KODU GASKET NO	MALZEME MATERIAL	CONTA TANIMI GASKET DESCRIPTION	PAKET PACKAGE
	800 386	EPDM	KANAT BİNİ CONTASI overlap gasket for sash	500mt/pk 0,027kg/mt
	800 287	EPDM	EŞİK PROFİLİ KANAL KAPATMA CONTASI closing gasket for threshold	375mt/pk 0,040kg/mt
	800 288	EPDM	CEPHE ADAPTÖR BESLEME CONTASI adding gasket facade adepter	230mt/pk 0,065kg/mt
	800 289	EPDM	CEPHE ADAPTÖR BESLEME CONTASI adding gasket facade adepter	134mt/pk 0,112kg/mt
	800 290	EPDM	CEPHE ADAPTÖR BESLEME CONTASI adding gasket facade adepter	95mt/pk 0,158kg/mt
	800 291	EPDM	CEPHE ADAPTÖR BESLEME CONTASI adding gasket facade adepter	80mt/pk 0,186kg/mt
	800 292	EPDM	CEPHE ADAPTÖR BESLEME CONTASI adding gasket facade adepter	68mt/pk 0,218kg/mt
	800 296	EPDM	10mm PERDELİ İÇ CAM CONTASI 10mm interior glazing gasket	90mt/pk 0,165kg/mt
	800 297	EPDM	4mm PERDELİ İÇ CAM CONTASI 4mm interior glazing gasket	160mt/pk 0,092kg/mt
	800 490	EPDM	PERVAZ BİNİ CONTASI overlap gasket for architrave	481mt/pk 0,027kg/mt

CONTA ŞEKLİ GASKET SECTION	CONTA KODU GASKET NO	MALZEME MATERIAL	CONTA TANIMI GASKET DESCRIPTION	PAKET PACKAGE
	800 491	EPDM	3mm İÇ CAM CONTASI 3mm interior glazing gasket	240mt/pk 0,054kg/mt
	800 383	EPDM	DAİRESEL KÖŞE PROFİLİ BİNİ CONTASI exterior overlap gasket for circular adapter profile	172mt/pk 0,087kg/mt
	03 145 AD	PE FOAM	ISI YALITIM BANTI thermal isolation tape (0,038 w/mk)	rulo-roll 300mt kutu-box 600mt

ICON 70D  
GİRİŞ KAPI SİSTEMİ  
ENTRANCE DOOR SYSTEM

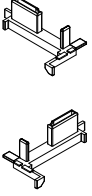
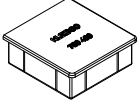

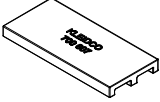

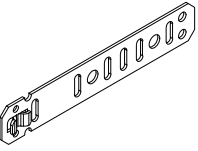
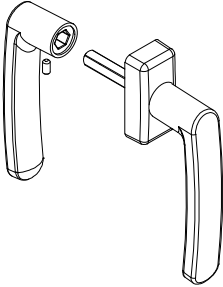
AKSESUARLAR  
ACCESSORIES

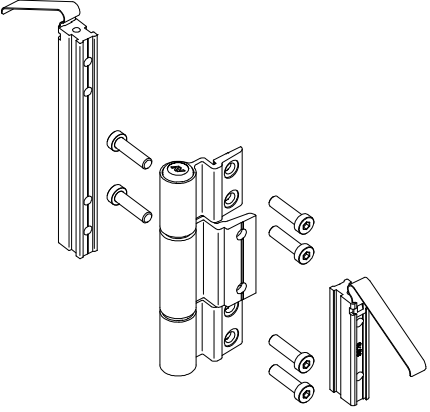
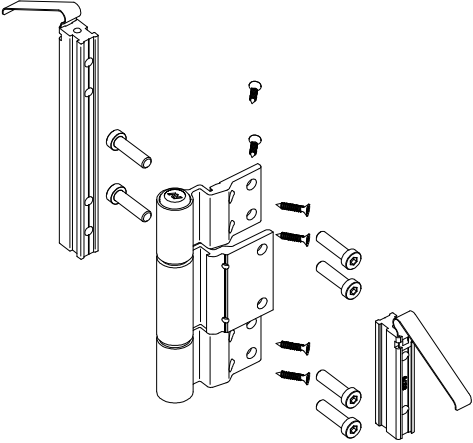
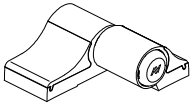
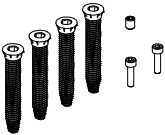
AKSESUAR ŞEKLİ ACCESSORIES SHAPE	AKSESUAR ACCESS. NO	AKSESUAR TANIMI ACCESSORIES DESCRIPTION	MİKTAR QUANTITY
	700 303	PVC KÖŞE ONBAŞI pvc corner angle for architrave	500 adet/pieces
	700 305	DIŞ CAM CONTASI İÇİN KÖŞE VULKANİZE vulcanized corner for ext.glazing gasket	50 adet/pieces
	700 322	ALUMİNYUM SIKIŞTIRMALI ONBAŞI aluminium corner with alien key	250 adet/pieces
	700 331	KANAT İÇ BİNİ İÇİN ONBAŞI aluminum corner angle for sash	500 adet/pieces
	700 333	ORTA KAYIT T BİRLEŞİM ÖN ve ARKA PARÇASI T connecting bracket for mullion	50 çift/pair
	700 334	KASA İÇİN PVC ONBAŞI pvc corner angle for sash and frame	500 adet/pieces
	700 335	T KASA İÇİN PVC ONBAŞI pvc corner angle for frame	500 adet/pieces
	700 336	SU TAHLİYE KAPAGI weep hole cap	500 adet/pieces
	700 354	PERVAZ MONTAJ KLİPSİ pvc clip for architrave assembly	100 adet/pieces
	700 385	KANAT 45° BİRLEŞİM EK BİNİ pvc cap plug for 45° cut sash corner	100 çift/pair

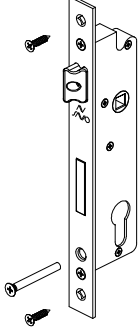
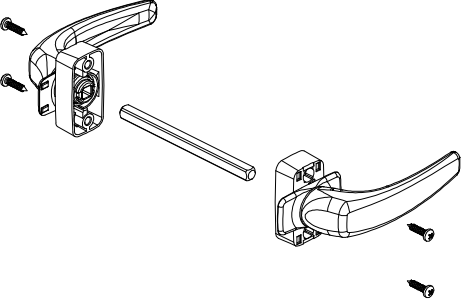
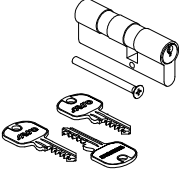
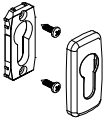
AKSESUAR ŞEKLİ ACCESSORIES SHAPE	AKSESUAR ACCESS. NO	AKSESUAR TANIMI ACCESSORIES DESCRIPTION	MİKTAR QUANTITY
	700 519	KANAT 45° BİRLEŞİM EK BİNİ pvc cap plug for 45° cut sash corner	100 çift/pair
	700 386	İÇE AÇILIR KAPI ÇİFT KANAT ADAPTÖR PROFİLİ ALT ve ÜST KAPAGI pvc cap plug for inward opening double sash adapter profile	50 çift/pair
	700 387	DIŞA AÇILIR KAPI ÇİFT KANAT ADAPTÖR PROFİLİ ALT ve ÜST KAPAGI pvc cap plug for outward opening double sash adapter profile	50 çift/pair
	700 388	EŞİK PROFİLİ PVC KAPAKLARI pvc cap plug for threshold profile	50 çift/pair
	700 389	KAPI ALTI FIRÇASI brush for sill profile	1mt X 50adet 1mt X 50pieces
	700 392	İÇE AÇILIR KAPI ALT EKLENTİ PROFİLİ PVC UC KAPAKLARI pvc cap plug for additional adapter profile (inward opening)	50 çift/pair

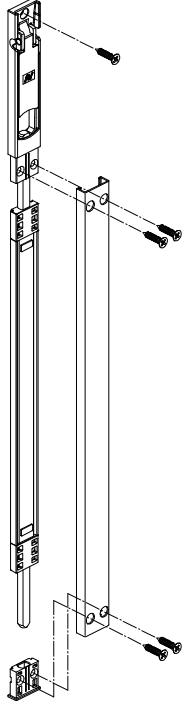
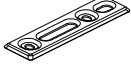






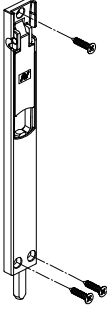
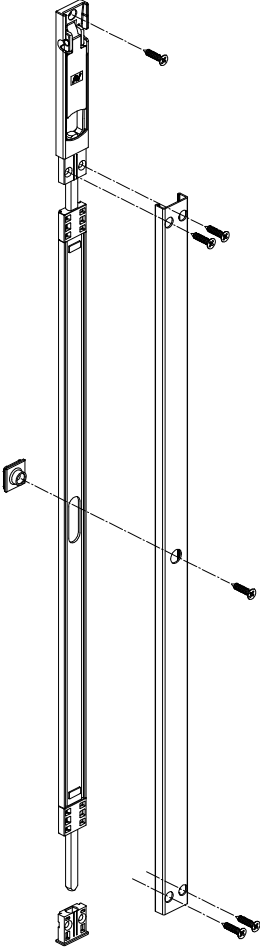
AKSESUAR ŞEKLİ ACCESSORIES SHAPE	AKSESUAR ACCESS. NO	AKSESUAR TANIMI ACCESSORIES DESCRIPTION	MİKTAR QUANTITY
	700 393	BİNİ CONTASI KÖŞE VULKANİZE vulcanized corner for overlap gasket	50 çift/pair
	700 394	İÇE AÇILIR KAPI ALT EKLENTİ PROFİLİ PVC UC KAPAKLARI pvc cap plug for additional adepter profile (inward opening)	50 çift/pair
	700 395	DIŞA AÇILIR KAPI ALT EKLENTİ PROFİLİ PVC UC KAPAKLARI pvc cap plug for additional adepter profile (outward opening)	50 çift/pair
	700 396	DIŞA AÇILIR KAPI ALT EKLENTİ PROFİLİ PVC UC KAPAKLARI pvc cap plug for additional adepter profile (outward opening)	50 çift/pair
	700 397	İÇE-DIŞA AÇILIR KAPI ALT EKLENTİ PROFİLİ PVC UC KAPAKLARI pvc cap plug for additional adepter profile (inward-outward opening)	50 çift/pair

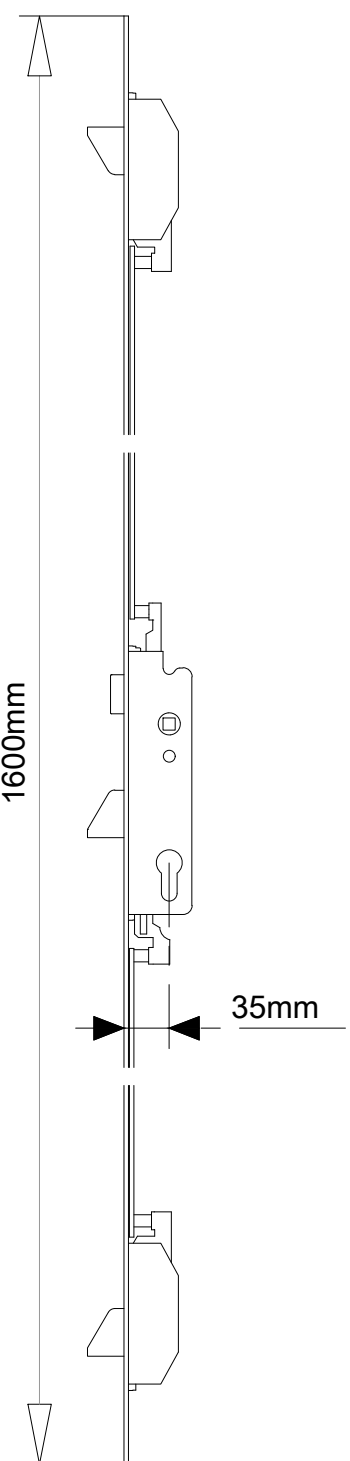
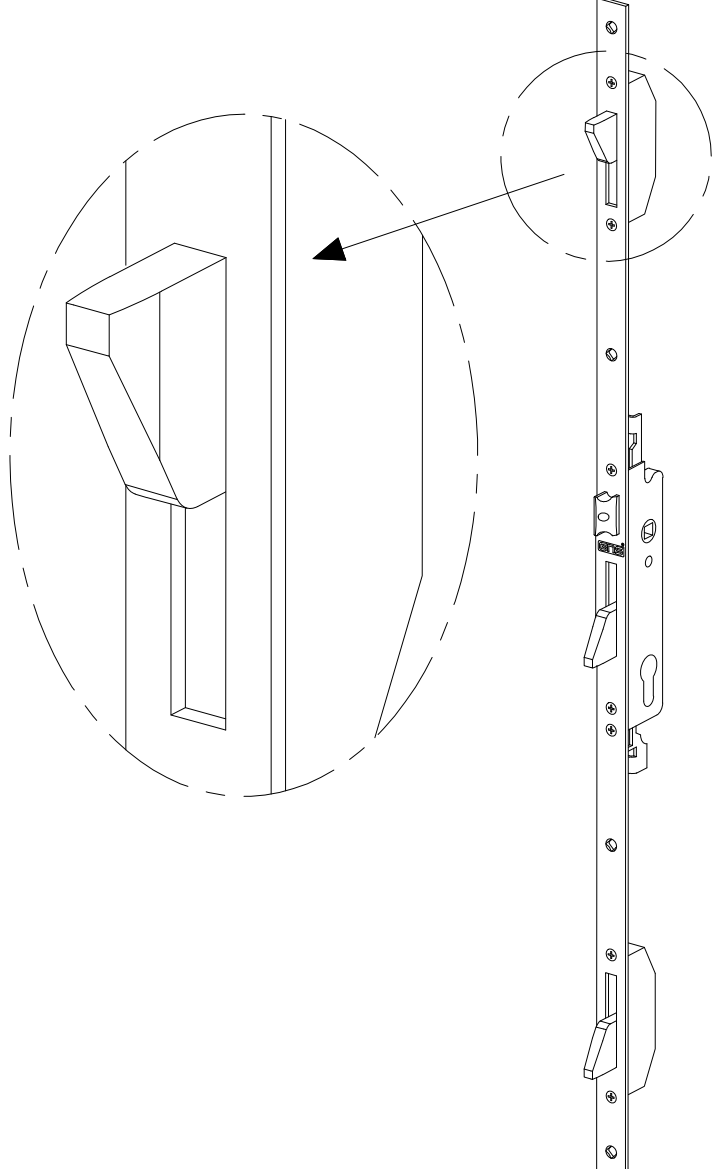
AKSESUAR ŞEKLİ ACCESSORIES SHAPE	AKSESUAR ACCESS. NO	AKSESUAR TANIMI ACCESSORIES DESCRIPTION	MİKTAR QUANTITY
	700 398	İÇE-DIŞA AÇILIR KAPI ALT EKLENTİ PROFİLİ PVC UC KAPAKLARI pvc cap plug for additional adapter profile (inward-outward opening)	50 çift/pair
	700 400	TAKVİYELİ ORTAKAYIT PROFİLİ ALT ve ÜST KAPAGI pvc cap plug for reinforcement mullion profile	50 adet/pieces
	700 606	KASA İÇİN CAM TAKOZU glass support for frame	100 adet/pieces
	700 607	CAM TAKOZU glass support	100 adet/pieces
	700 609	36mm ORTA KAYIT T BİRLEŞİM EPDM KÖPÜK epdm foam for T joint for 36mm mullion	100 adet/pieces
	700 773	2mm GALVANİZLİ ANKRAJ 2mm galvanize strap anchor	20 adet/pieces
	700 831	140mm DÜZ KOL(yaylı) 140mm handle(suprung)	100 adet/pieces

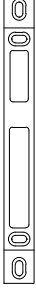

AKSESUAR ŞEKLİ ACCESSORIES SHAPE	AKSESUAR ACCESS. NO	AKSESUAR TANIMI ACCESSORIES DESCRIPTION
	1143.35	<p><b>İÇE AÇILIR KAPI SİLİNDİR MENTEŞE</b> standart renkler : gümüş,beyaz,siyah (2Adet = 100kg) (3Adet = 120kg)</p> <p><b>CYLINDER HINGES</b> for INWARD OPENING DOOR standart colours : silver,white,black (2pieces = 100kg) (3pieces = 120kg)</p>
	1143.36	<p><b>DIŞA AÇILIR KAPI SİLİNDİR MENTEŞE</b> standart renkler : gümüş,beyaz,siyah (2Adet = 100kg) (3Adet = 120kg)</p> <p><b>CYLINDER HINGES</b> for OUTWARD OPENING DOOR standart colours : silver,white,black (2pieces = 100kg) (3pieces = 120kg)</p>
	1146 / 62,5	<p><b>İÇE-DIŞA AÇILIR KAPI KAPAZLAMA MENTEŞE</b> standart renkler : gümüş,beyaz,siyah özel renk,eloxal (2Adet = 160kg) (3Adet = 180kg)</p> <p><b>SURFACE MOUNTING HINGES</b> for OUTWARD-INWARD OPENING DOOR standart colours : silver,white,black special color,anodise (2pieces = 160kg) (3pieces = 180kg)</p>
	1145 / 745	<p><b>KAPAZLAMA MENTEŞE VİDA SETİ</b> face mounting hinges screw set</p>

AKSESUAR ŐEKLİ ACCESSORIES SHAPE	AKSESUAR ACCESS. NO	AKSESUAR TANIMI ACCESSORIES DESCRIPTION
	1852.19 / 30G	DİLLİ KİLİT GÖBEGİ locking device body
	866.31	ARIANNA - BASMA KOL arianna - manuel handle
	1852.801 / 85	BAREL SETİ cylinder locking set
	874.804	BAREL KAPAK SETİ standart renkler : gümüş,beyaz,siyah PVC CAP PLUG for CYLINDER standart colours : silver,white,black

AKSESUAR ŞEKLİ ACCESSORIES SHAPE	AKSESUAR ACCESS. NO	AKSESUAR TANIMI ACCESSORIES DESCRIPTION
	1557 / 45	45cm FİŞEK SÜRGÜ standart renkler : silver,beyaz,siyah
	1408.1	FİŞEK SÜRGÜ ALT KARŞILIGI bottom keeper for sliding bar locking device
	1408	FİŞEK SÜRGÜ ALT KARŞILIGI bottom keeper for sliding bar locking device
	1411.1	FİŞEK SÜRGÜ ÜST KARŞILIGI top keeper for sliding bar locking device
	1409 / 8	FİŞEK SÜRGÜ ALT KARŞILIGI bottom keeper for sliding bar locking device

AKSESUAR ŞEKLİ ACCESSORIES SHAPE	AKSESUAR ACCESS. NO	AKSESUAR TANIMI ACCESSORIES DESCRIPTION
	1557 / 13	<b>13cm FİŞEK SÜRGÜ</b> standart renkler : gümüş,beyaz,siyah <b>13cm SLIDING BAR LOCKING DEVICE</b> standart colours : silver,white,black
	1557 / 20	<b>20cm FİŞEK SÜRGÜ</b> standart renkler : gümüş,beyaz,siyah <b>20cm SLIDING BAR LOCKING DEVICE</b> standart colours : silver,white,black
	1557 / 65	<b>65cm FİŞEK SÜRGÜ</b> standart renkler : gümüş,beyaz,siyah <b>65cm SLIDING BAR LOCKING DEVICE</b> standart colours : silver,white,black

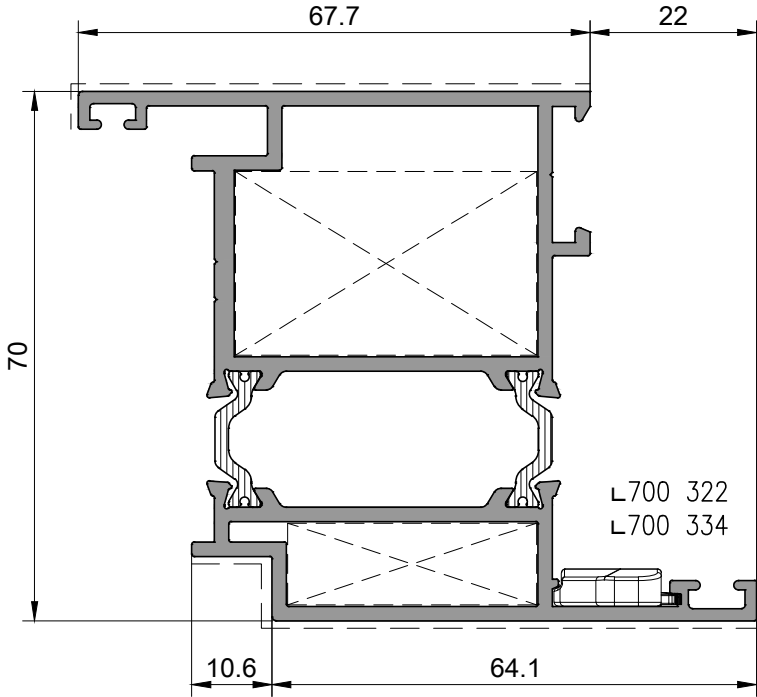
AKSESUAR ŐEKLİ ACCESSORIES SHAPE	AKSESUAR ACCESS. NO	AKSESUAR TANIMI ACCESSORIES DESCRIPTION
 <p>1600mm</p> <p>35mm</p>	<p>7717 TU X35</p>	<p><b>ÇOK NOKTADAN KİLİTLEME İSPANYOLET</b> uzunluk : 1600mm barel aksı :35mm <b>MULTIPOINT LOCKING DEVICE</b> length : 1600mm cylindir axe : 35mm</p> 

AKSESUAR ŐEKLİ ACCESSORIES SHAPE	AKSESUAR ACCESS. NO	AKSESUAR TANIMI ACCESSORIES DESCRIPTION
	CT 1	<b>KİLİT KARŐILIGI</b> kilit göbeđi için kullanılır <b>KEEPER</b> use with locking device body
	CT 2	<b>KİLİT KARŐILIGI</b> alt ve üsteki diller için kullanılır <b>KEEPER</b> use for top and bottom additional locking point



ICON 70D  
GİRİŞ KAPI SİSTEMİ  
ENTRANCE DOOR SYSTEM

TAM ÖLÇEKLİ ALUMİNYUM PROFİLLER  
FULL SCALE PROFILES



**P 1206**

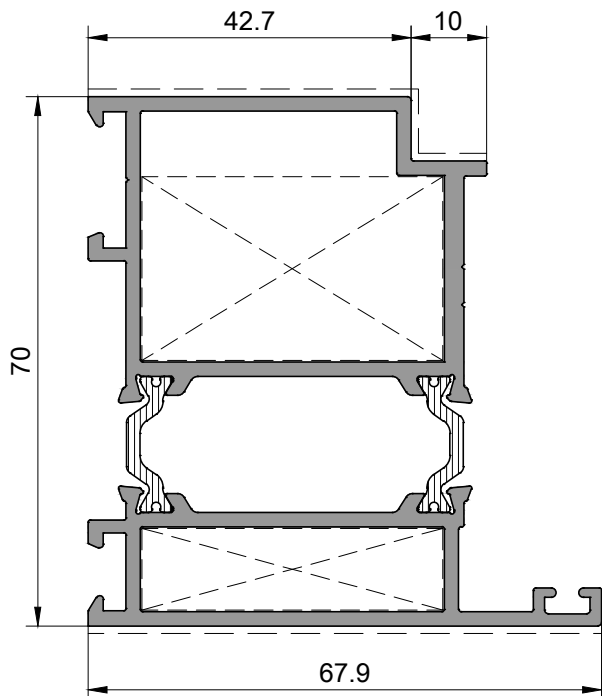
Kanat Profili / 2,115kg/mt

Sash Profile

	13920	13919
	P 1221 10.8mm	P1116 24.3mm
	700 322 700 334	-
	-	-

ix )  
46.21 cm4

ly )  
24.91 cm4



**P 1205**

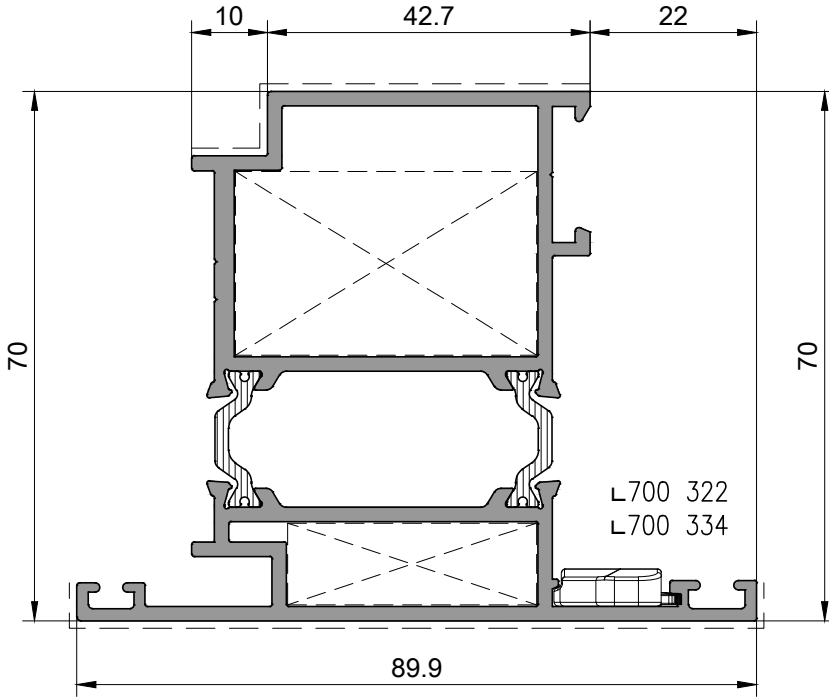
Kasa Profili / 1,955kg/mt

Frame Profile

	13918	13917
	P1116 10.8mm	P1116 24.3mm
	-	-
	-	-

ix )  
34.69 cm4

ly )  
22.87 cm4



**P 1207**

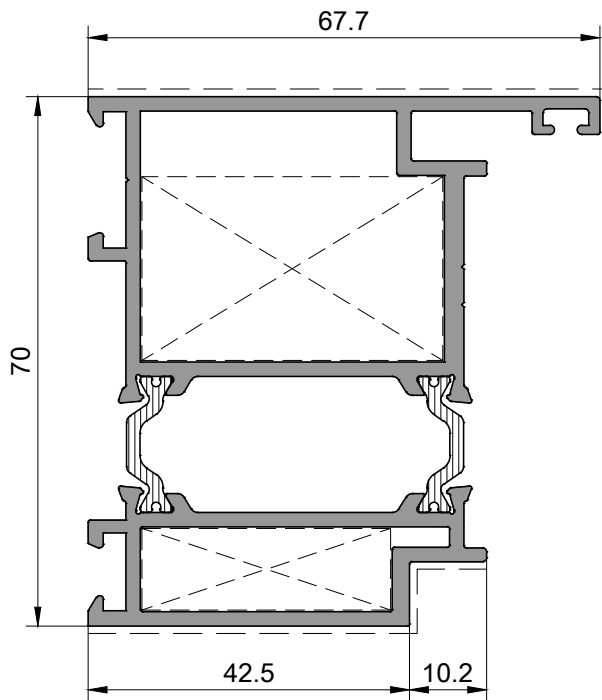
Kanat Profili / 2,120kg/mt

Sash Profile

	13921	13917
	P 1221 10.8mm	P1116 24.3mm
	700 322 700 334	-
	-	-

lx 37.72 cm4

ly 32.08 cm4



**P 1210**

Kasa Profili / 2,015kg/mt

Frame Profile

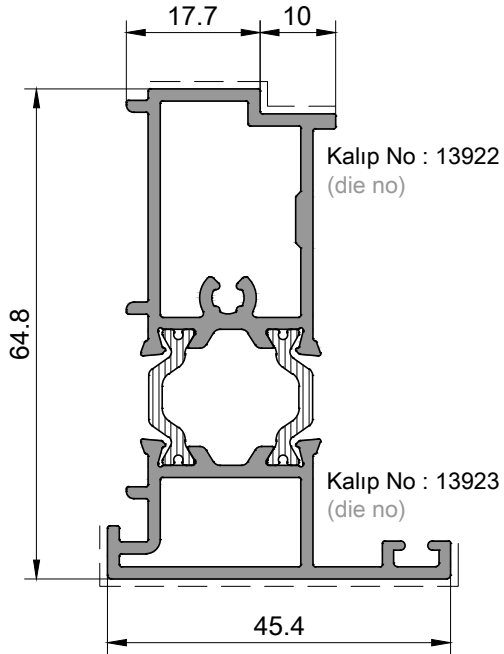
	13926	13919
	P 1221 10.8mm	P1116 24.3mm
	-	-
	-	-

lx 37.71 cm4

ly 22.30 cm4

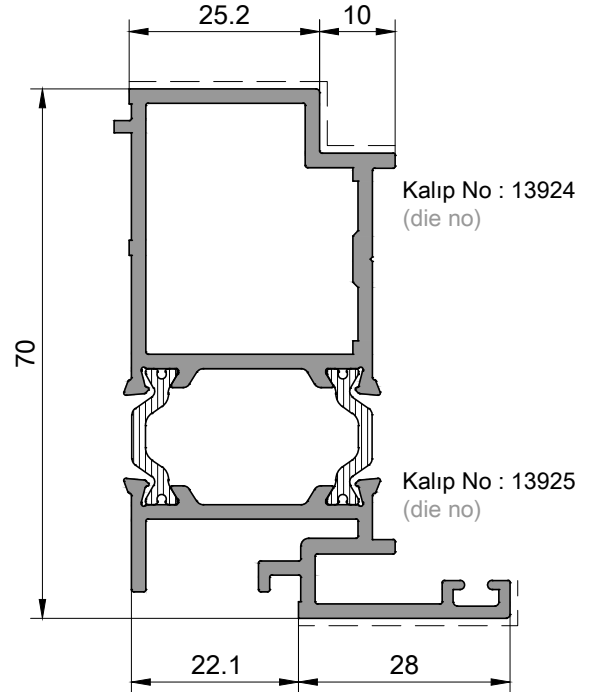
**P 1208**

Adaptör Profili / 1,275kg/mt  
Adepter Profile



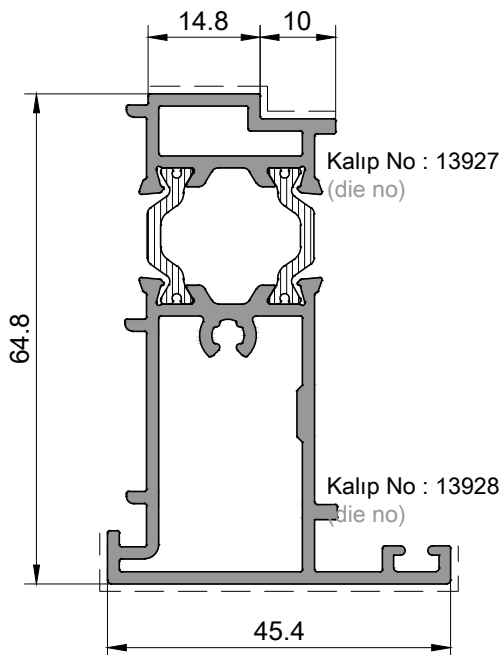
**P 1209**

Adaptör Profili / 1,515kg/mt  
Adepter Profile



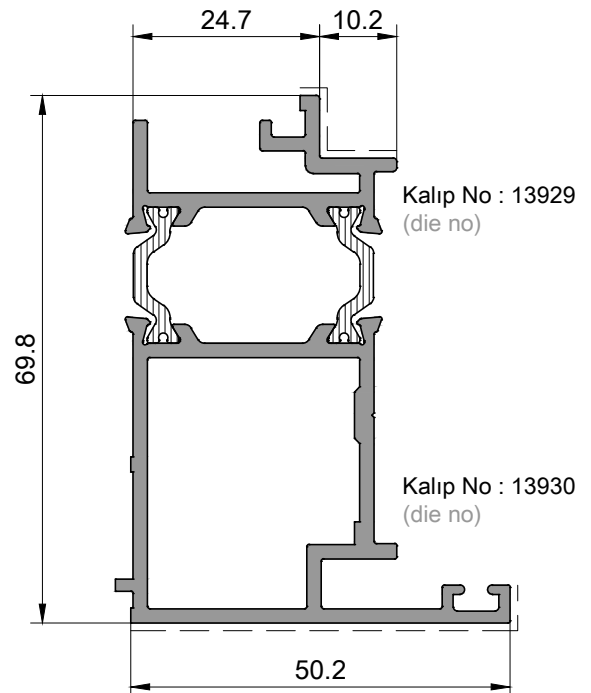
**P 1211**

Adaptör Profili / 1,295kg/mt  
Adepter Profile



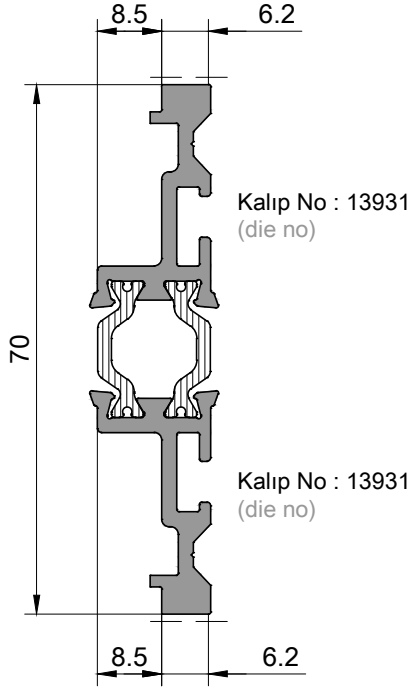
**P 1212**

Adaptör Profili / 1,510kg/mt  
Adepter Profile



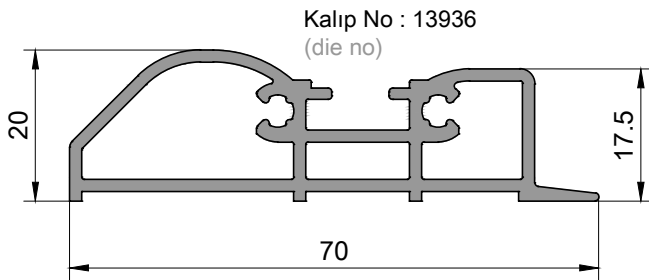
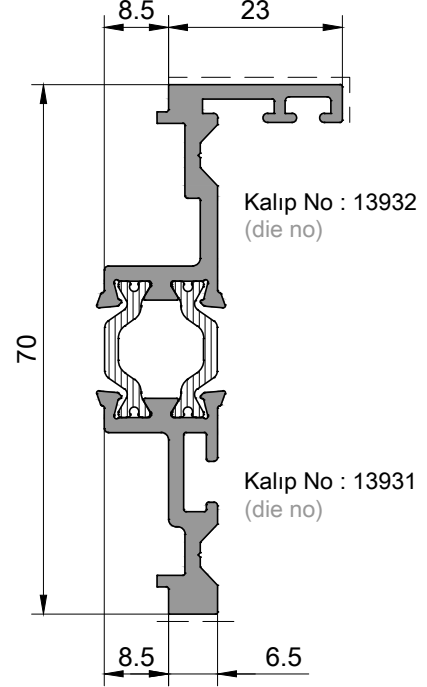
**P 1213**

Adaptör Profili / 0,900kg/mt  
Adepter Profile



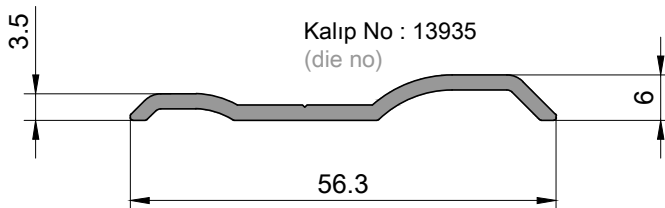
**P 1214**

Adaptör Profili / 0,990kg/mt  
Adepter Profile



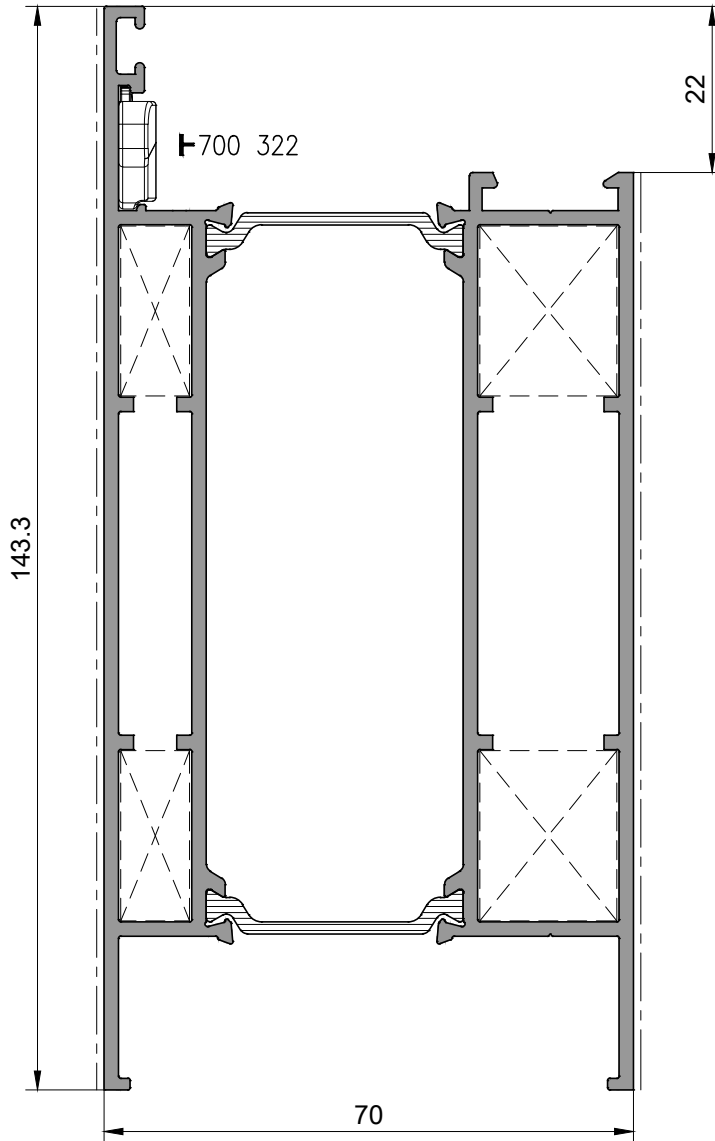
**P 1217**

Eşik Profili / 0,915kg/mt  
Threshold Profile



**P 1216**

Eşik Profili / 0,320kg/mt  
Threshold Profile



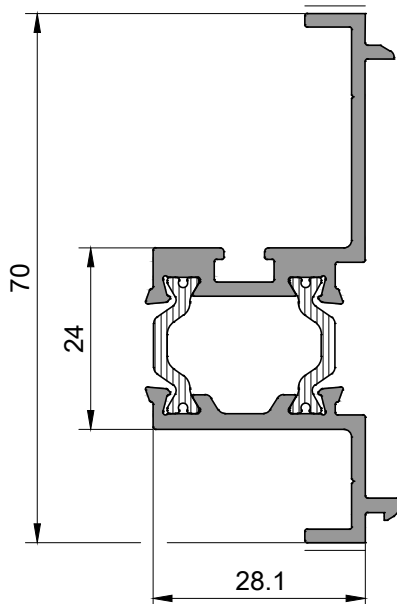
**P 1215**

Etek Profili / 3,150kg/mt  
Sill Profile

	13934	13933
	-	-
	700 322	-
	700 333	

$I_x$  69.39 cm<sup>4</sup>

$I_y$  154.27 cm<sup>4</sup>



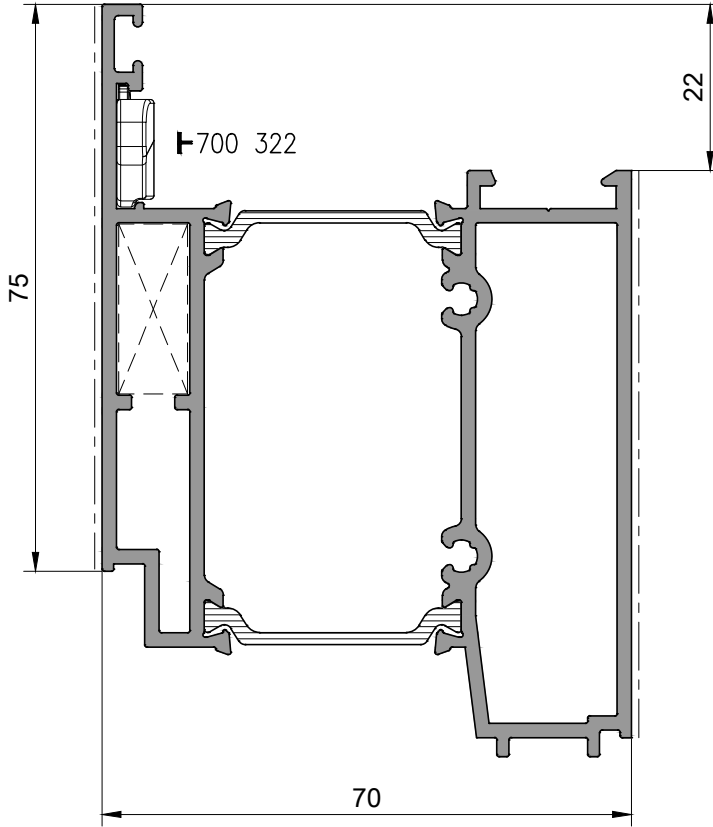
**P 1220**

Adaptör Profili / 0,985kg/mt  
Adepter Profile

	13955	13954

$I_x$  9.46 cm<sup>4</sup>

$I_y$  2.78 cm<sup>4</sup>



**P 1334**

Etek Profili / 2,310kg/mt

Sill Profile

	14211	14220
	-	-
	700 322	-
	700 333	-

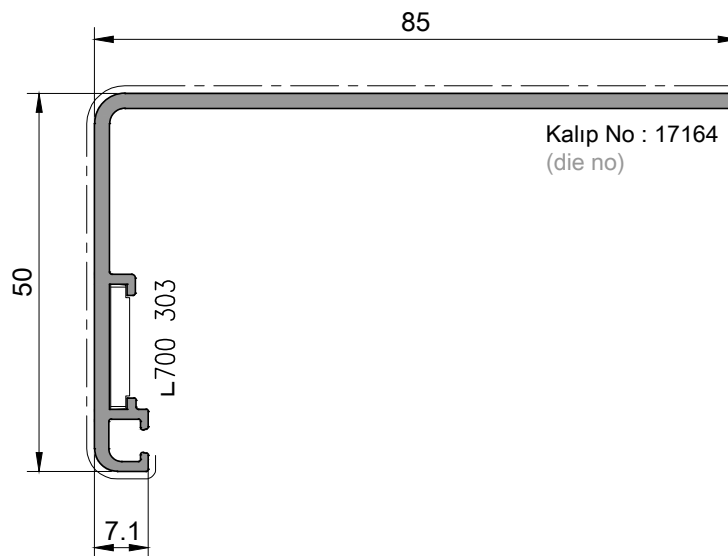
$I_x$  32.42 cm<sup>4</sup>

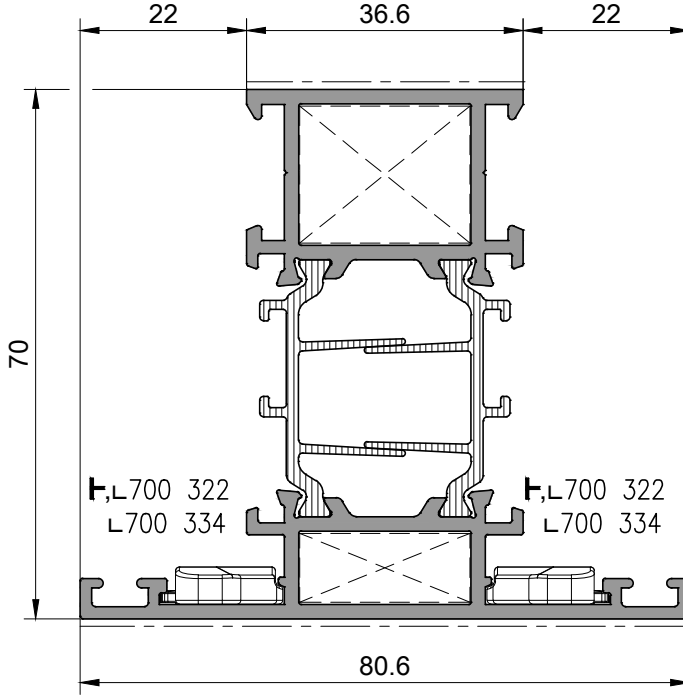
$I_y$  66.16 cm<sup>4</sup>

**P 2112**

Pervaz profili / 0,775kg/mt

Architrave Profile





**P 1152**

T Kasa Profili / 1,835kg/mt

T Frame Profile

	13104	13102
	P1118 9.1mm	P1118 18.1mm
	700 322 700 334	-
	700 333	

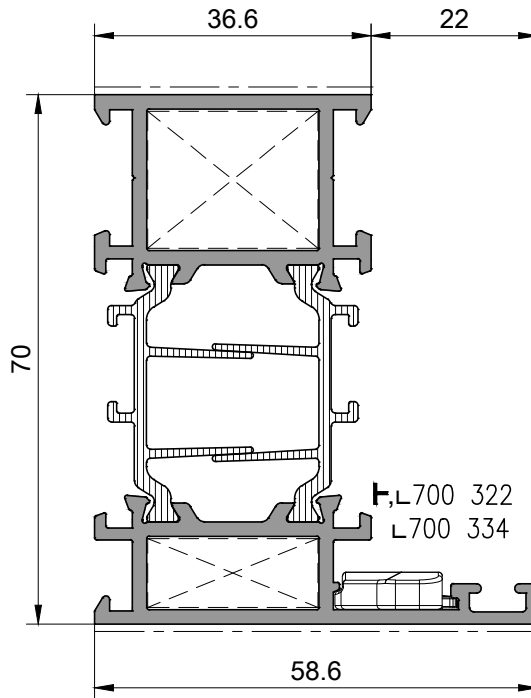
$I_x$

34.44 cm<sup>4</sup>

$I_y$

16.57 cm<sup>4</sup>

NOT : 700 322 Onbaşı T ve L Köşe Birleşimde Kullanılır. 700 322 T and L corner angle are used in corner joint  
45° Köşe Birleşimde 700 322 Alternatifi 700 334 Kullanılır. 700 334 is used as the alternative for 700 322 in 45° corner joint.  
45° Köşe Birleşimde Sadece Dışta 700 335 kullanılır. 700 335 is used only on the exterior for 45° corner joint



**P 1153**

L Kasa Profili / 1,690kg/mt

L Frame Profile

	13103	13102
	P1118 9.1mm	P1118 18.1mm
	700 322 700 334	-
	-	

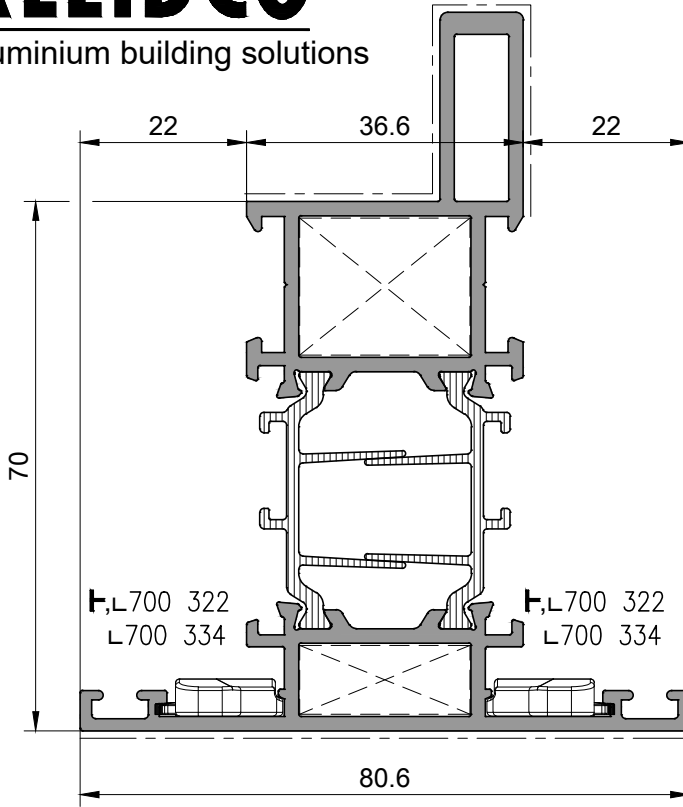
$I_x$

31.53 cm<sup>4</sup>

$I_y$

9.85 cm<sup>4</sup>





### P 1623

T Kasa Profili / 2,150kg/mt

T Frame Profile

	13104	16422
	P1118 9.1mm	P1118 18.1mm
	700 322 700 334	-
	700 333	

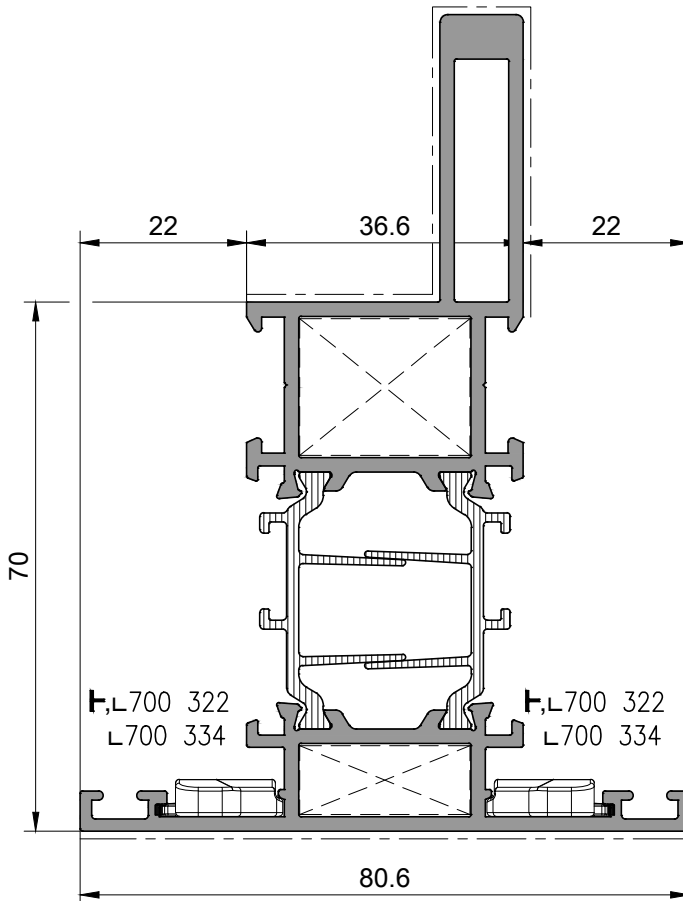
$I_x$

61.19 cm<sup>4</sup>

$I_y$

17.47 cm<sup>4</sup>

NOT : 700 322 Onbaşı T ve L Köşe Birleşimde Kullanılır. 700 322 T and L corner angle are used in corner joint  
45° Köşe Birleşimde 700 322 Alternatifi 700 334 Kullanılır. 700 334 is used as the alternative for 700 322 in 45° corner joint.  
45° Köşe Birleşimde Sadece Dışta 700 335 kullanılır. 700 335 is used only on the exterior for 45° corner joint



### P 1707

T Kasa Profili / 2,340kg/mt

T Frame Profile

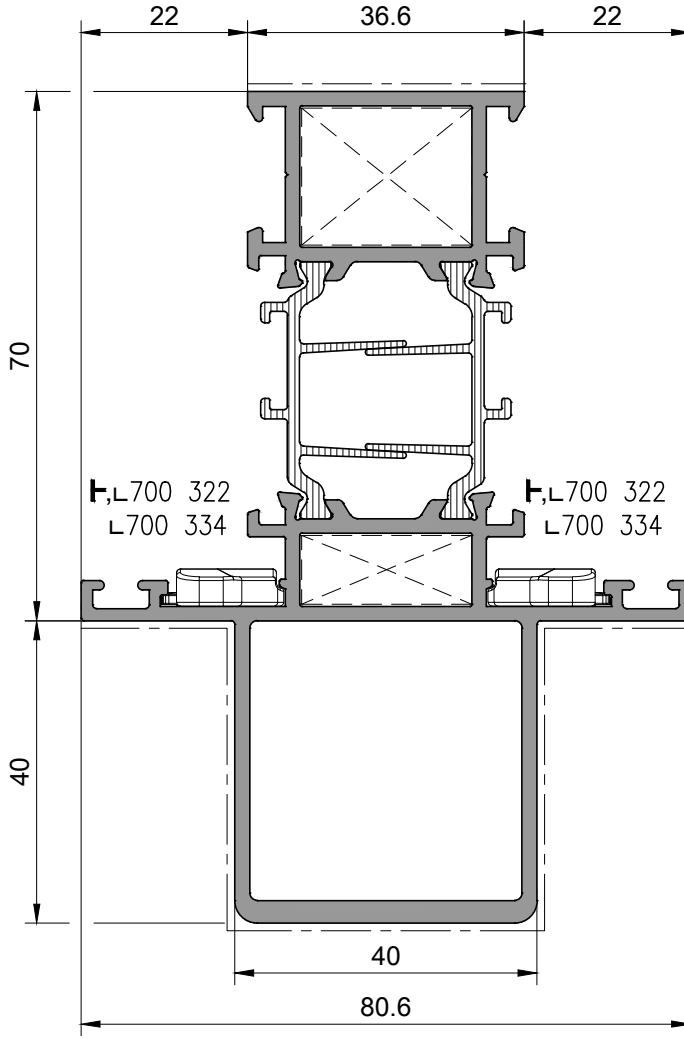
	13104	17018
	P1118 9.1mm	P1118 18.1mm
	700 322 700 334	-
	700 333	

$I_x$

86.83 cm<sup>4</sup>

$I_y$

17.60 cm<sup>4</sup>



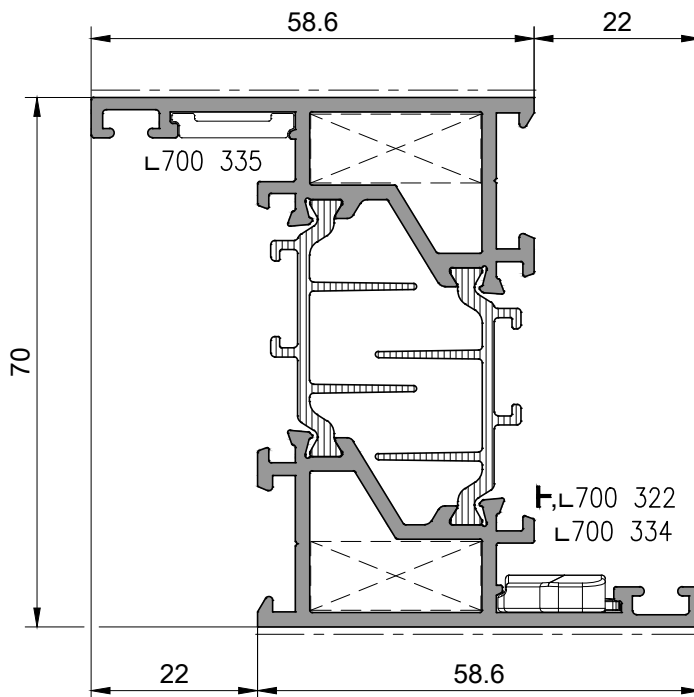
**P 1150**

Takviyeli Profil / 2,555kg/mt  
Mullion Profile

	13105	13102
	P1118 9.1mm	P1118 18.1mm
	700 322 700 334	-
	700 333	

$I_x$  86.17 cm<sup>4</sup>       $I_y$  23.40 cm<sup>4</sup>

NOT : 700 322 Onbaşı T ve L Köşe Birleşimde Kullanılır. 700 322 T and L corner angle are used in corner joint  
45° Köşe Birleşimde 700 322 Alternatifi 700 334 Kullanılır. 700 334 is used as the alternative for 700 322 in 45° corner joint.  
45° Köşe Birleşimde Sadece Dışta 700 335 kullanılır. 700 335 is used only on the exterior for 45° corner joint

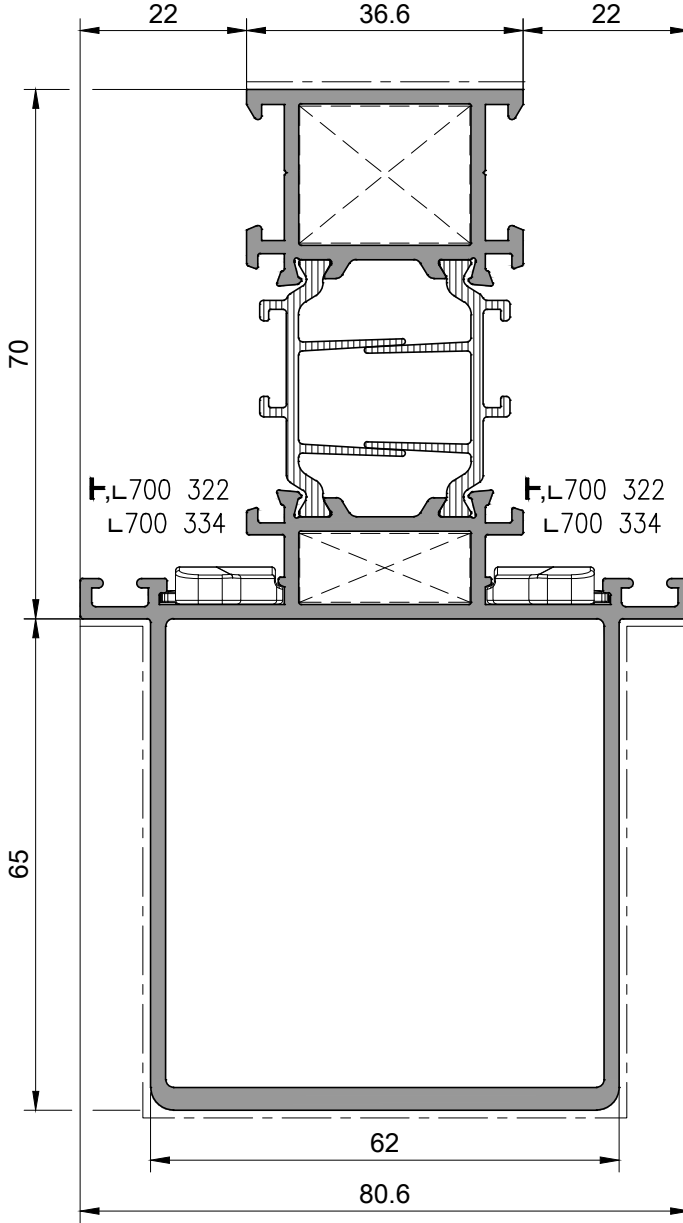


**P 1536**

Z Kasa Profili / 1,890kg/mt  
Z Frame Profile

	15289	15289
	P1118 9.1mm	P1118 9.1mm
	700 322 700 334	700 335
	-	

$I_x$  40.20 cm<sup>4</sup>       $I_y$  12.95 cm<sup>4</sup>



**P 1151**

Takviyeli Profil / 3,005kg/mt

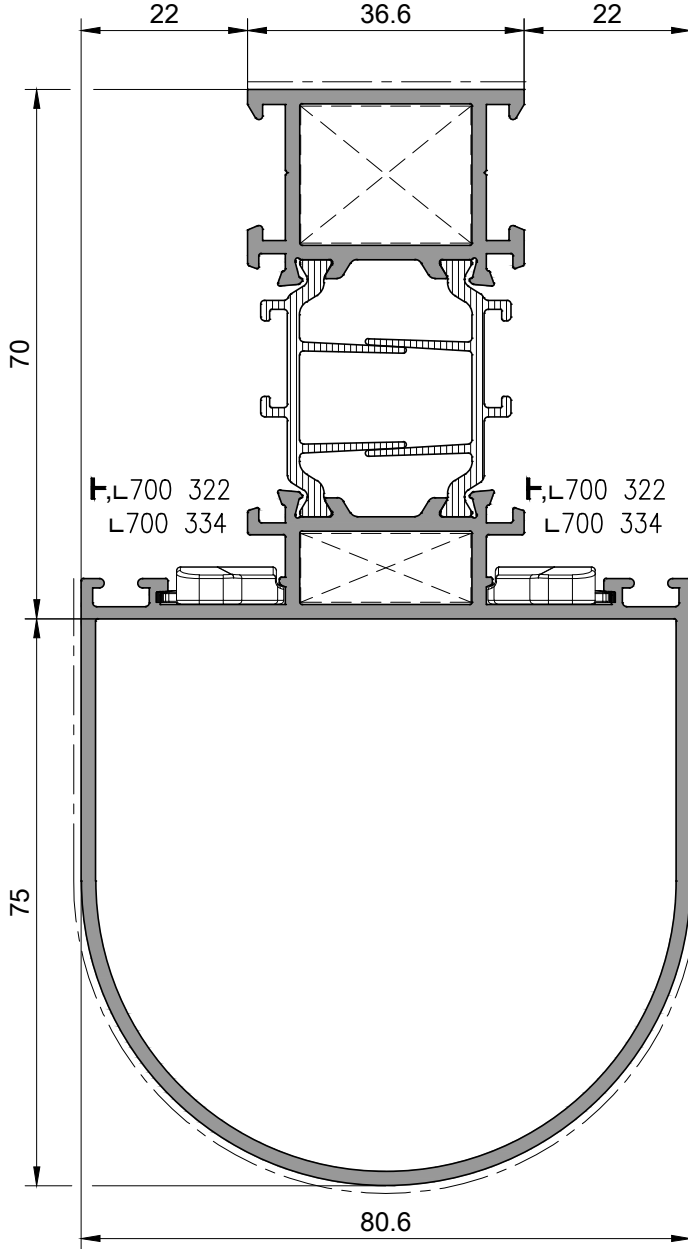
Mullion Profile

	13106	13102
	P1118 9.1mm	P1118 18.1mm
	700 322	-
	700 334	-
	700 333	-

ix )  
162.98 cm<sup>4</sup>

ly )  
44.58 cm<sup>4</sup>

NOT : 700 322 Onbaşı T ve L Köşe Birleşimde Kullanılır. 700 322 T and L corner angle are used in corner joint  
45° Köşe Birleşimde 700 322 Alternatifi 700 334 Kullanılır. 700 334 is used as the alternative for 700 322 in 45° corner joint.  
45° Köşe Birleşimde Sadece Dışta 700 335 kullanılır.700 335 is used only on the exterior for 45° corner joint



**P 1225**

Takviyeli Profil / 2,835kg/mt

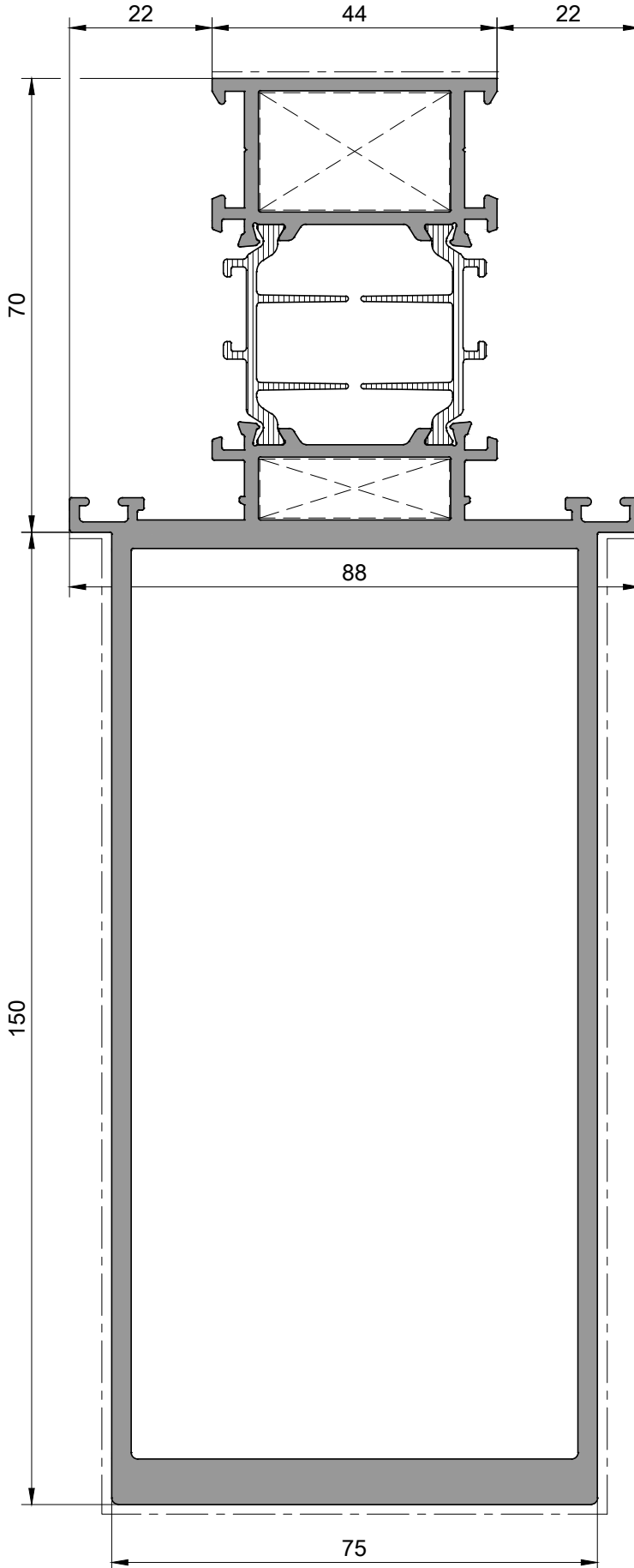
Mullion Profile

	13914	13102
	P1118 9.1mm	P1118 18.1mm
	700 322	-
	700 334	
		700 333

ix )  
152.90 cm<sup>4</sup>







ly )  
55.20 cm<sup>4</sup>

NOT : 700 322 Onbaşı T ve L Köşe Birleşimde Kullanılır. 700 322 T and L corner angle are used in corner joint  
45° Köşe Birleşimde 700 322 Alternatifi 700 334 Kullanılır. 700 334 is used as the alternative for 700 322 in 45° corner joint.  
45° Köşe Birleşimde Sadece Dışta 700 335 kullanılır. 700 335 is used only on the exterior for 45° corner joint

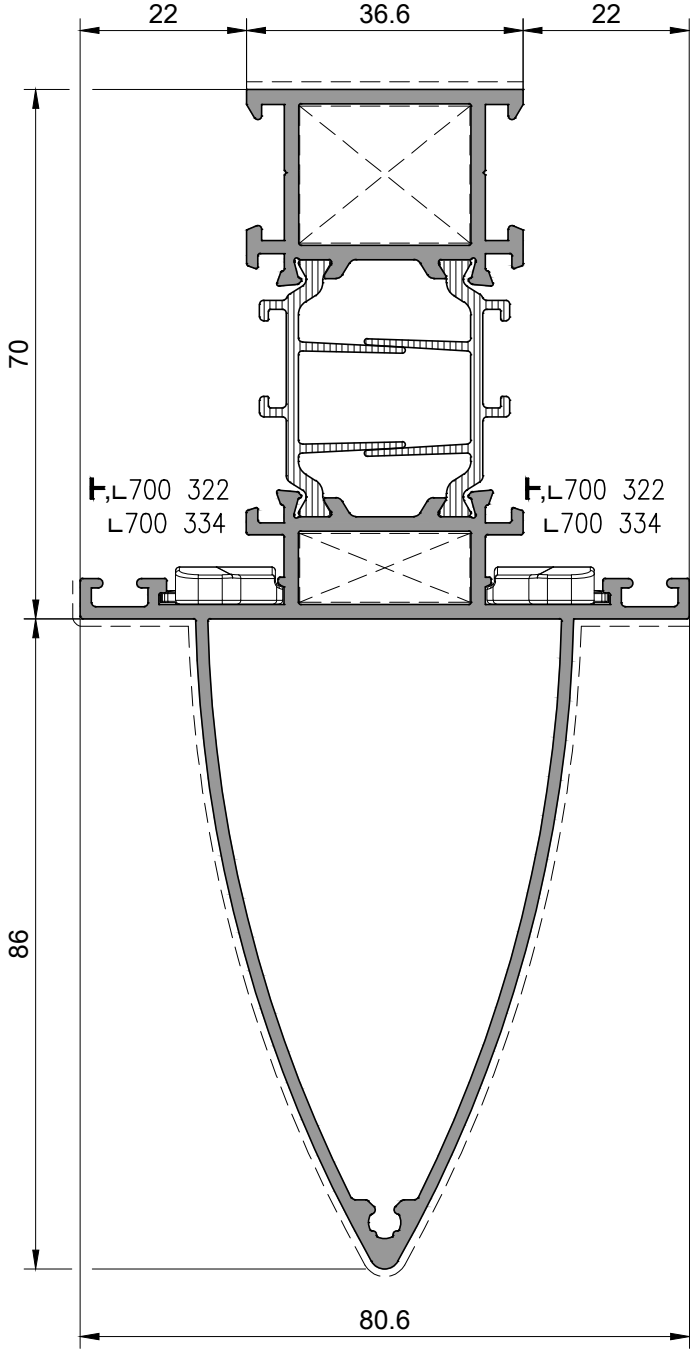


**P 1955**

Takviyeli Orta Kayıt Profili / 6,227kg/mt  
Mullion Profile With Reinforcement

		
	15408	14209
	P1162 9.1mm	P1162 18.1mm
	700 322 700 334	-
	700 502	

$I_x$   984.57 cm<sup>4</sup>
                 
  $I_y$   166.40 cm<sup>4</sup>



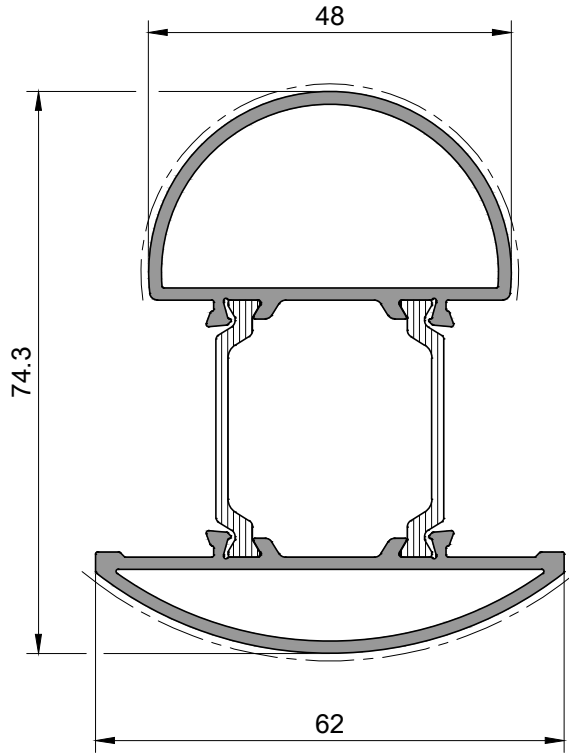
**P 2136**

Takviyeli Orta Kayıt Profili / 2,665kg/mt  
Mullion Profile With Reinforcement

	17758	13102
	P1163 9.1mm	P1163 18.1mm
	700 322 700 334	-
	700 333	

ix ) 145.08 cm<sup>4</sup>      ly ) 25.30 cm<sup>4</sup>

NOT : 700 322 Onbaşı T ve L Köşe Birleşimde Kullanılır. 700 322 T and L corner angle are used in corner joint  
45° Köşe Birleşimde 700 322 Alternatifi 700 334 Kullanılır. 700 334 is used as the alternative for 700 322 in 45° corner joint.  
45° Köşe Birleşimde Sadece Dışta 700 335 kullanılır. 700 335 is used only on the exterior for 45° corner joint



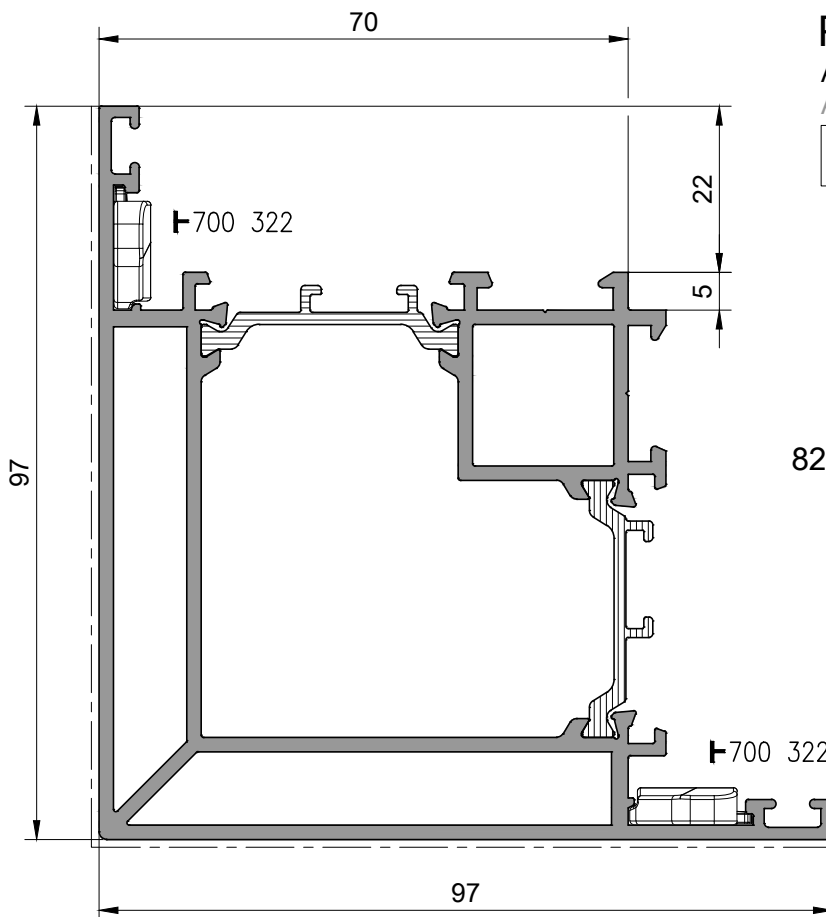
**P 1539**

Adaptör Profili / 1,465kg/mt  
Adepter Profile

	15345	15312

ix 25.25 cm<sup>4</sup>

ly 12.87 cm<sup>4</sup>



**P 1540**

Adaptör Profili / 2,845kg/mt  
Adepter Profile

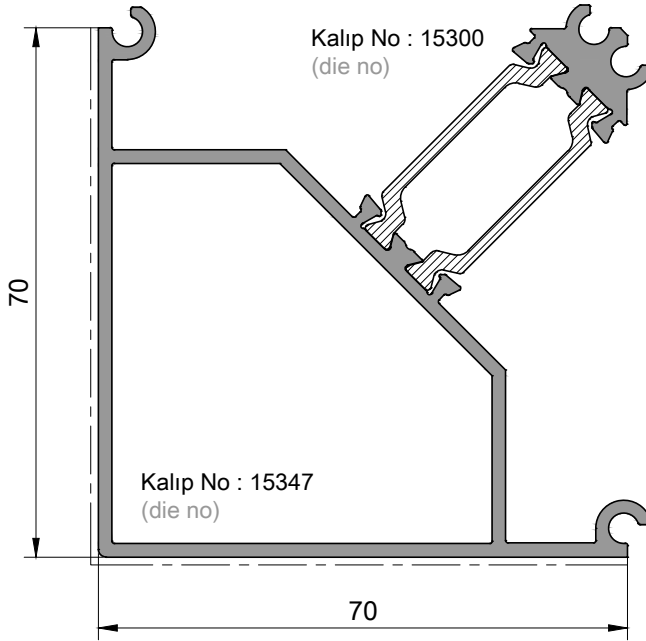
	15346	15298

ix 82.05 cm<sup>4</sup>

ly 64.35 cm<sup>4</sup>

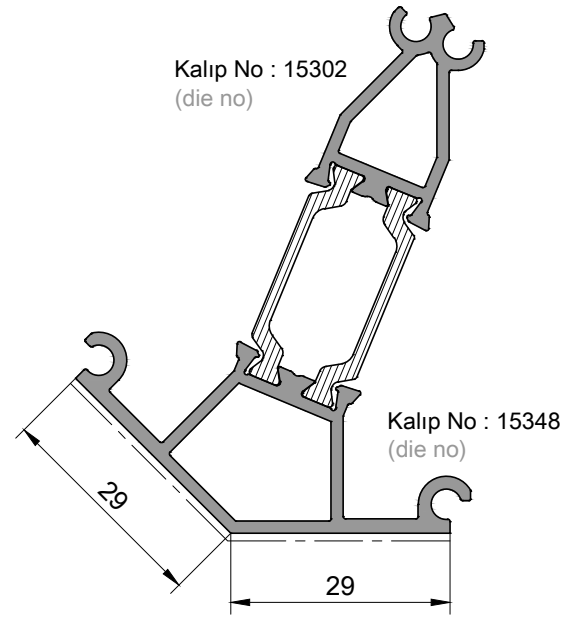
**P 1541**

Adaptör Profili / 1,755kg/mt  
Adepter Profile



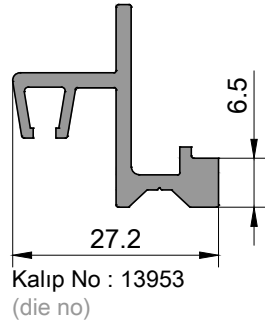
**P 1542**

Adaptör Profili / 1,175kg/mt  
Adepter Profile



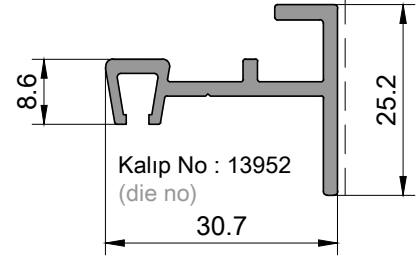
**P 1219**

Fırça Profili / 0,405kg/mt  
Brush Profile



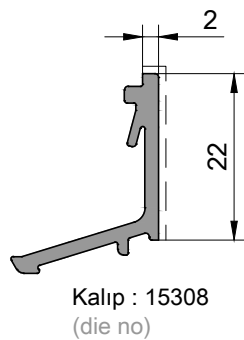
**P 1218**

Fırça Profili / 0,380kg/mt  
Brush Profile



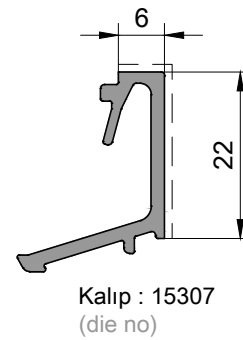
**P 1496**

Çita Profili / 0,245kg/mt  
Glazing Bead Profile



**P 1495**

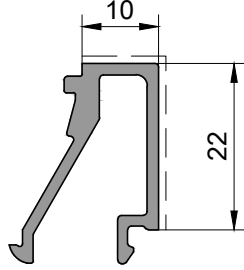
Çita Profili / 0,270kg/mt  
Glazing Bead Profile





**P 1494**

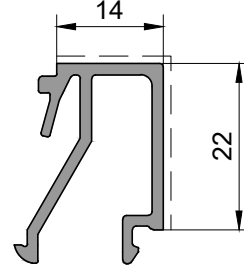
Çıta Profili / 0,325kg/mt  
Glazing Bead Profile



Kalıp : 15306  
(die no)

**P 1176**

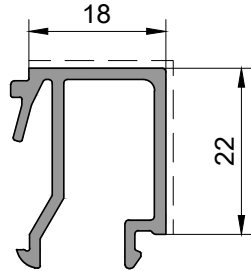
Çıta Profili / 0,335kg/mt  
Glazing Bead Profile



Kalıp No : 13698  
(die no)

**P 1179**

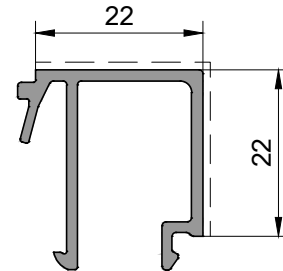
Çıta Profili / 0,350kg/mt  
Glazing Bead Profile



Kalıp No : 13671  
(die no)

**P 2167**

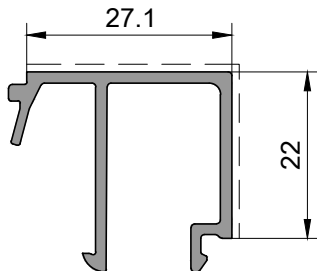
Çıta Profili / 0,355kg/mt  
Glazing Bead Profile



Kalıp No : 17976  
(die no)

**P 1180**

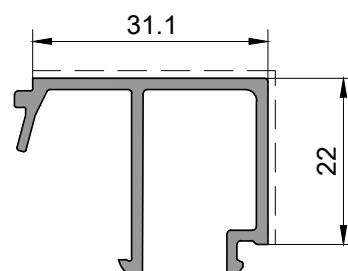
Çıta Profili / 0,380kg/mt  
Glazing Bead Profile



Kalıp No : 13670  
(die no)

**P 1158**

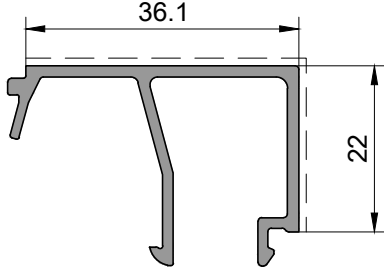
Çıta Profili / 0,365kg/mt  
Glazing Bead Profile



Kalıp No : 13111  
(die no)

**P 1498**

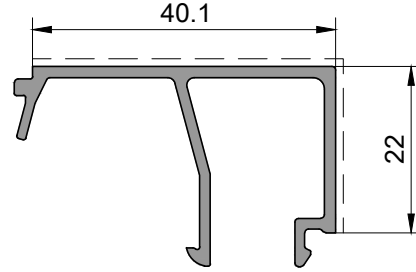
Çıta Profili / 0,415kg/mt  
Glazing Bead Profile



Kalıp : 15310  
(die no)

**P 1497**

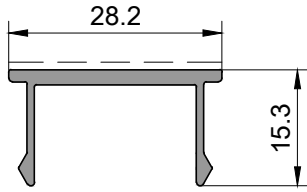
Çıta Profili / 0,435kg/mt  
Glazing Bead Profile



Kalıp : 15309  
(die no)

**P 1433**

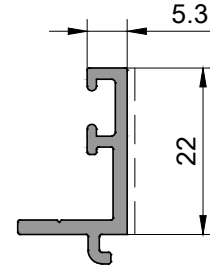
Kapak Profili / 0,235kg/mt  
Cap Profile



Kalıp No : 13956  
(die no)

**P 1499**

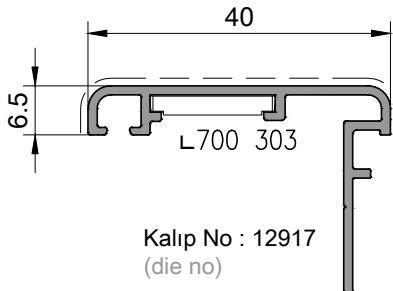
Çıta Profili / 0,235kg/mt  
Glazing Bead Profile



Kalıp : 15311  
(die no)

**P 1177**

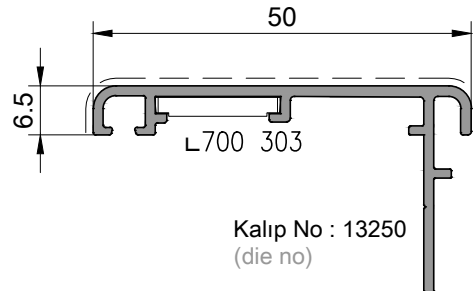
Pervaz Profili / 0,300kg/mt  
Architrave Profile



Kalıp No : 12917  
(die no)

**P 1178**

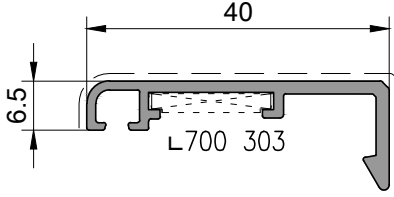
Çıta Profili / 0,375kg/mt  
Architrave Profile



Kalıp No : 13250  
(die no)

**P 1760**

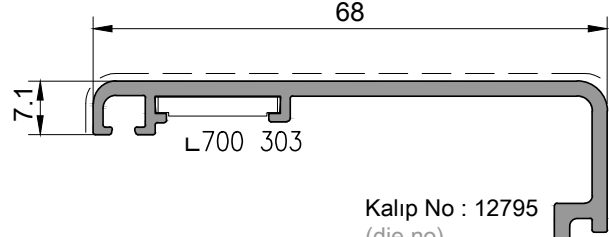
Pervaz Profili / 0,290kg/mt  
Architrave Profile



Kalıp No : 16214  
(die no)

**P 1222**

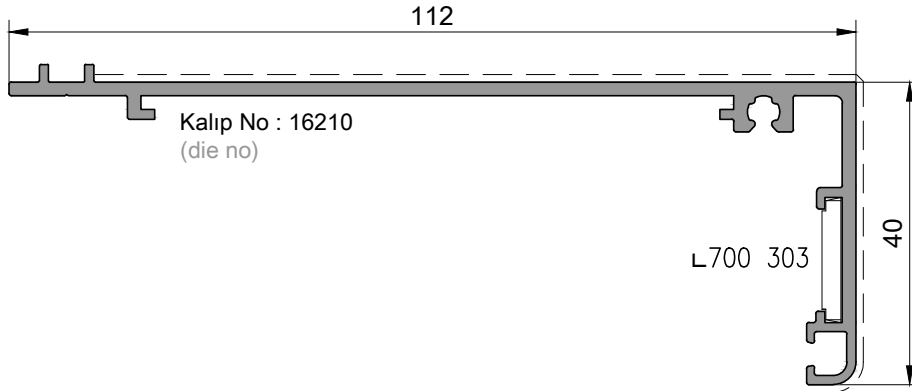
Pervaz Profili / 0,760kg/mt  
Architrave Profile



Kalıp No : 12795  
(die no)

**P 1761**

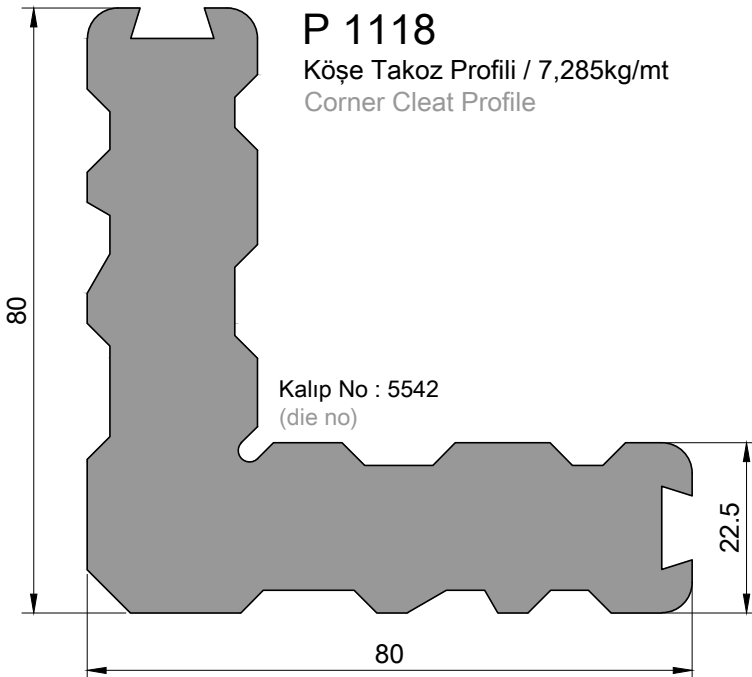
Pervaz Profili / 0,890kg/mt  
Long Architrave Profile



Kalıp No : 16210  
(die no)

**P 1118**

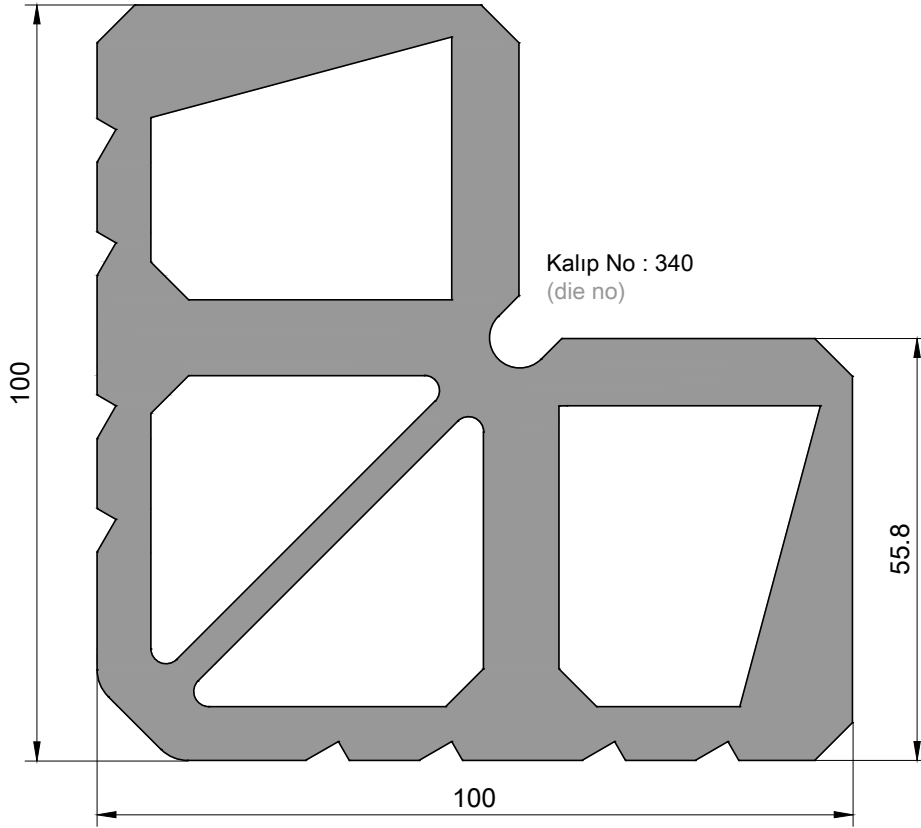
Köşe Takoz Profili / 7,285kg/mt  
Corner Cleat Profile



Kalıp No : 5542  
(die no)

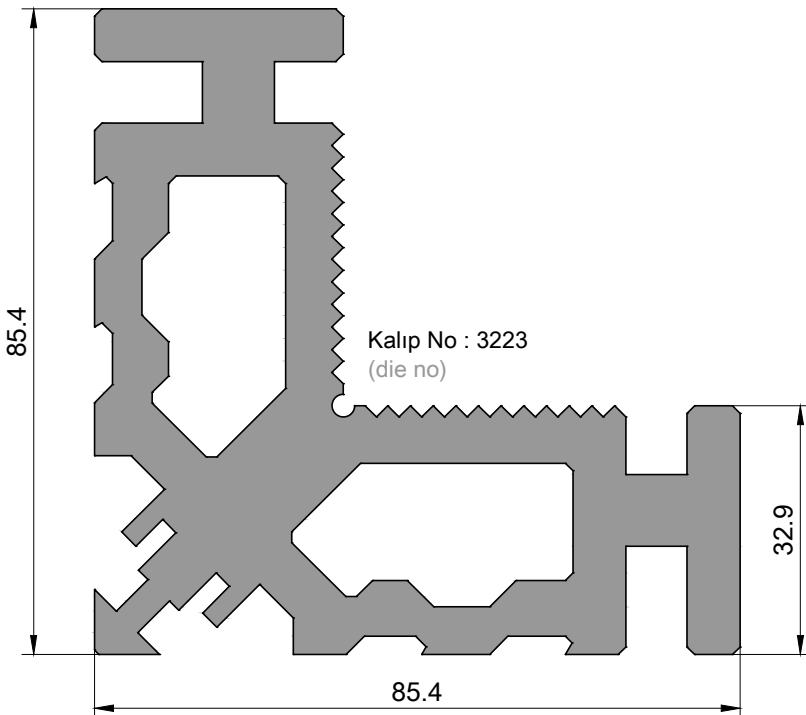
**P 1597**

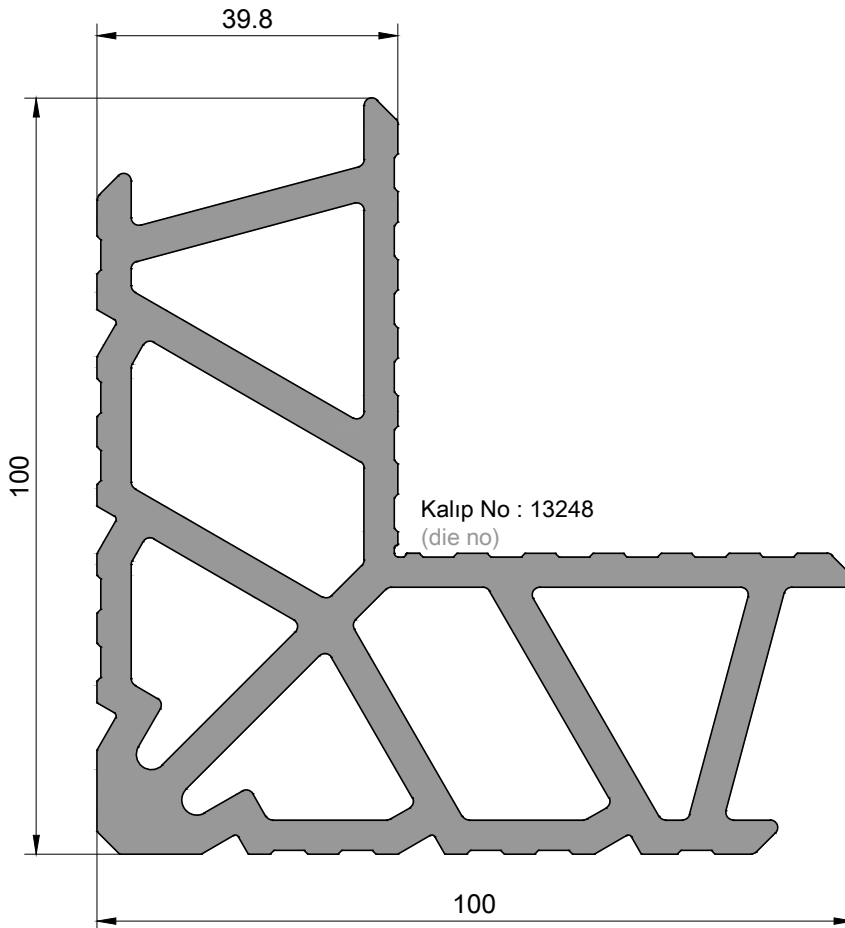
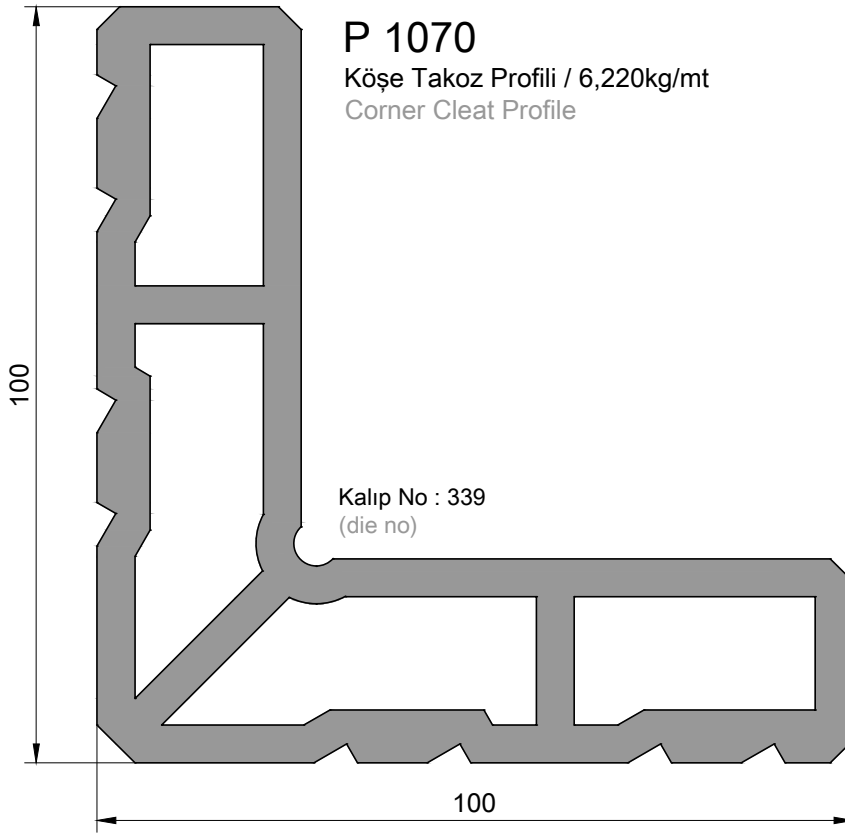
Köşe Takoz Profili / 10,525kg/mt  
Corner Cleat Profile



**P 1221**

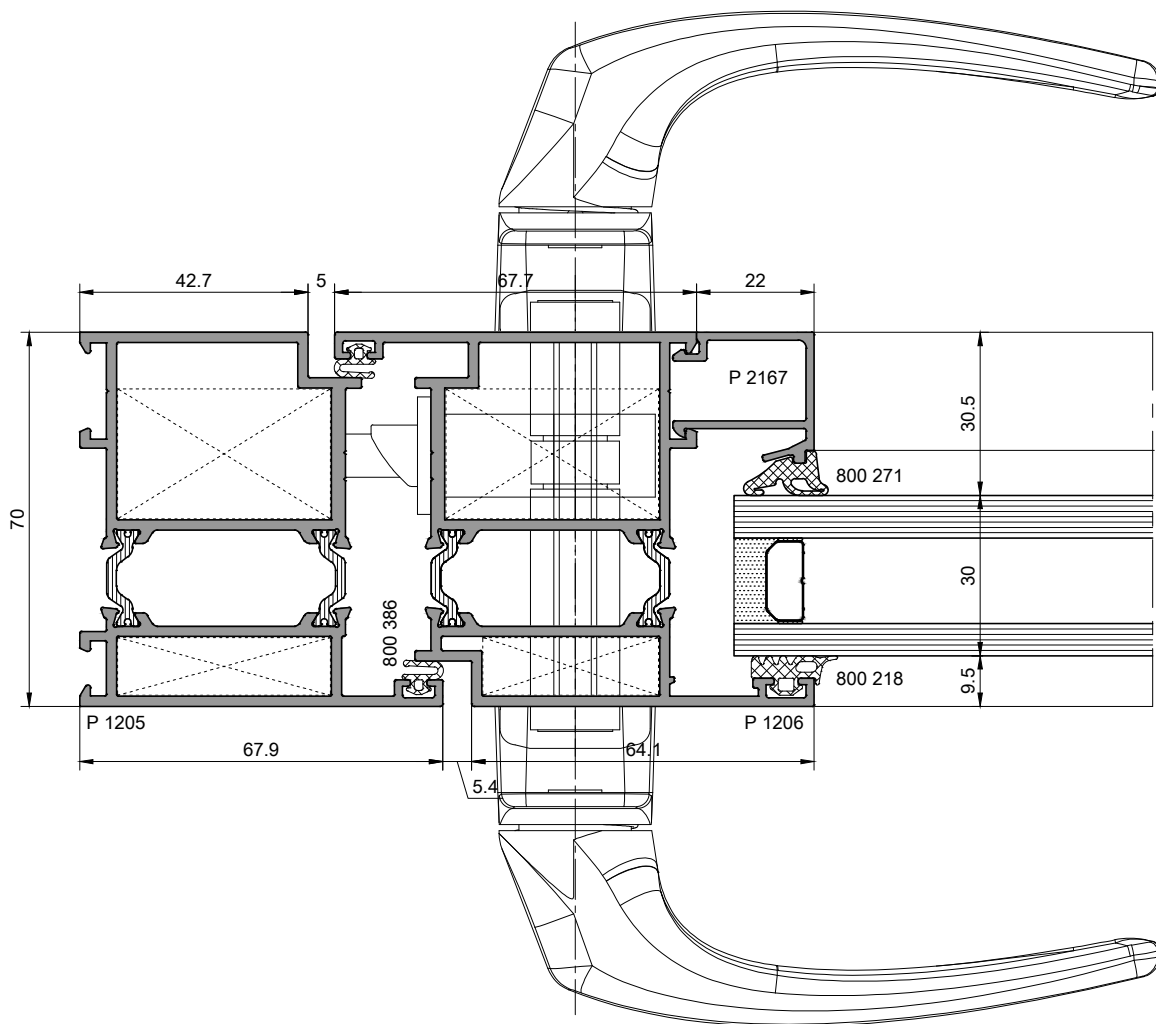
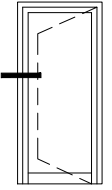
Köşe Takoz Profili / 7,065kg/mt  
Corner Cleat Profile

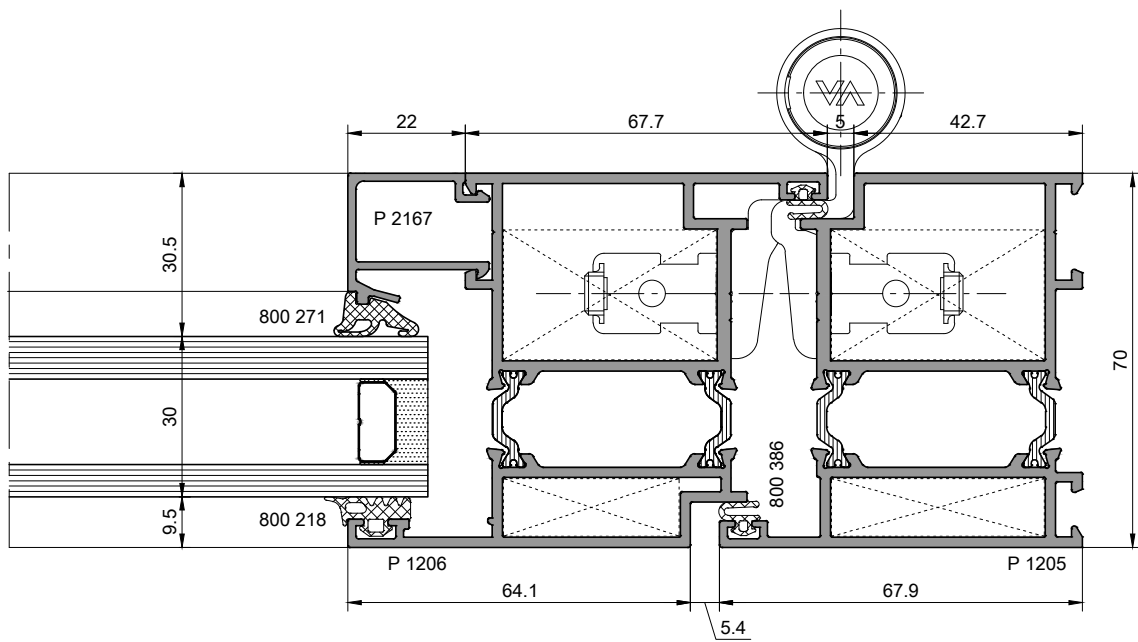
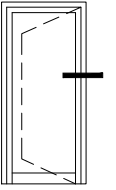




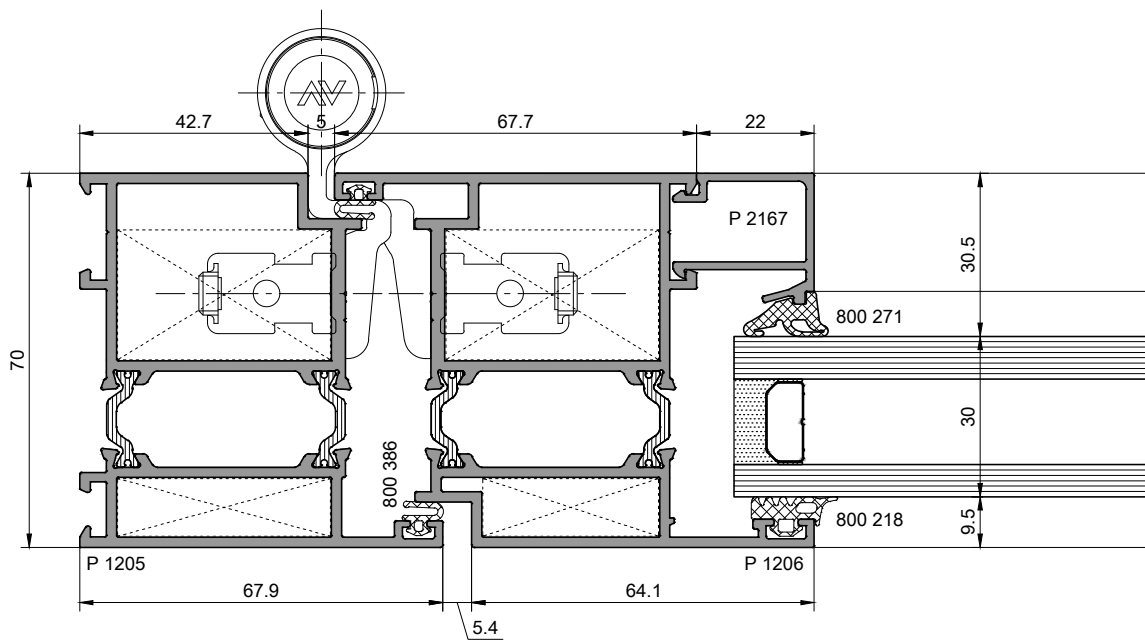
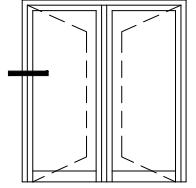
ICON 70D  
GİRİŞ KAPI SİSTEMİ  
ENTRANCE DOOR SYSTEM

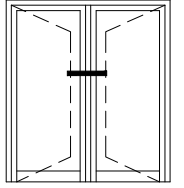
İÇE AÇILIR - DIŞA AÇILIR KAPI  
PRENSİP SİSTEM DETAYLARI  
INWARD-OUTWARD OPENING DOOR  
PRINCIPAL SECTIONS



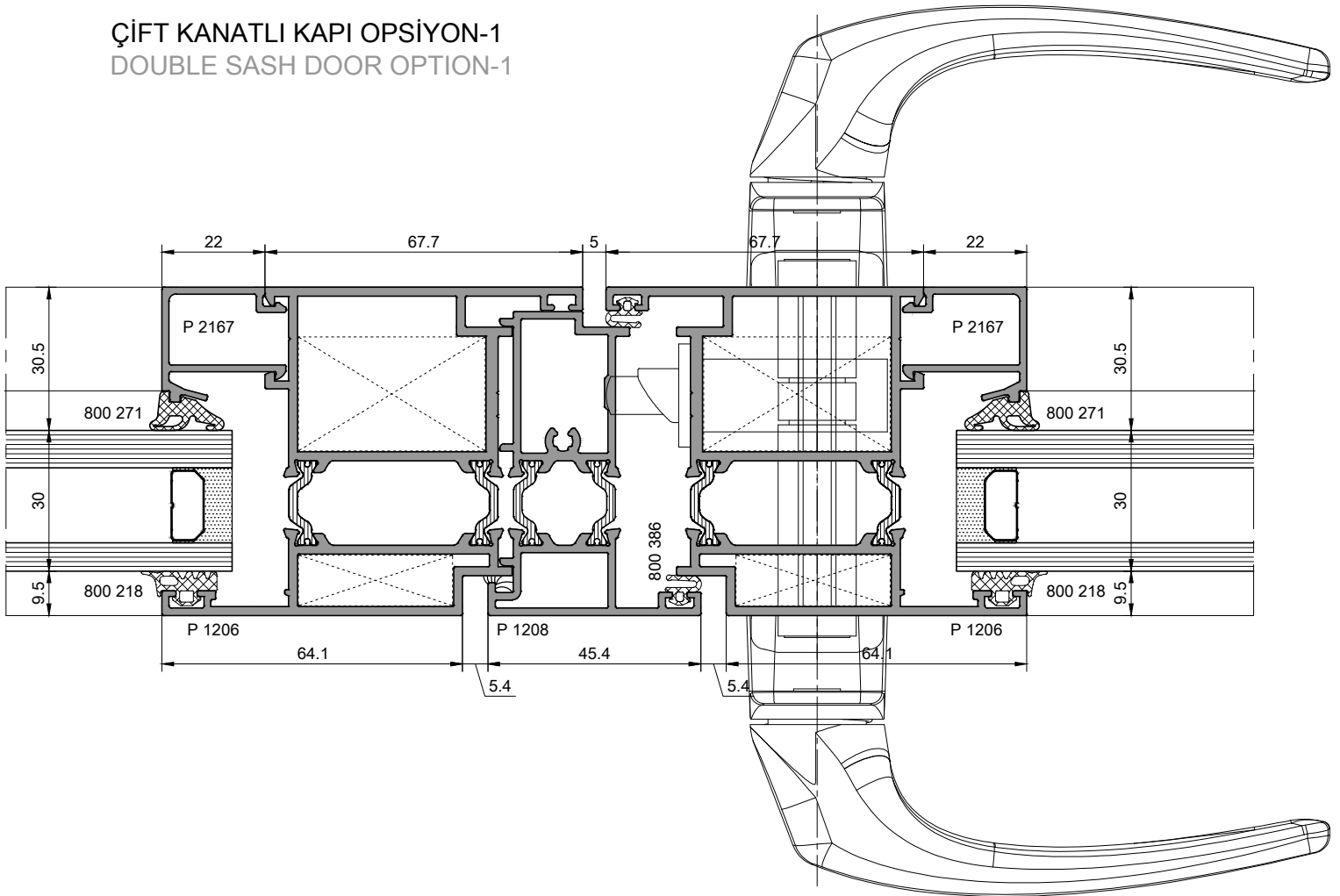


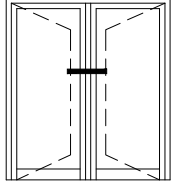




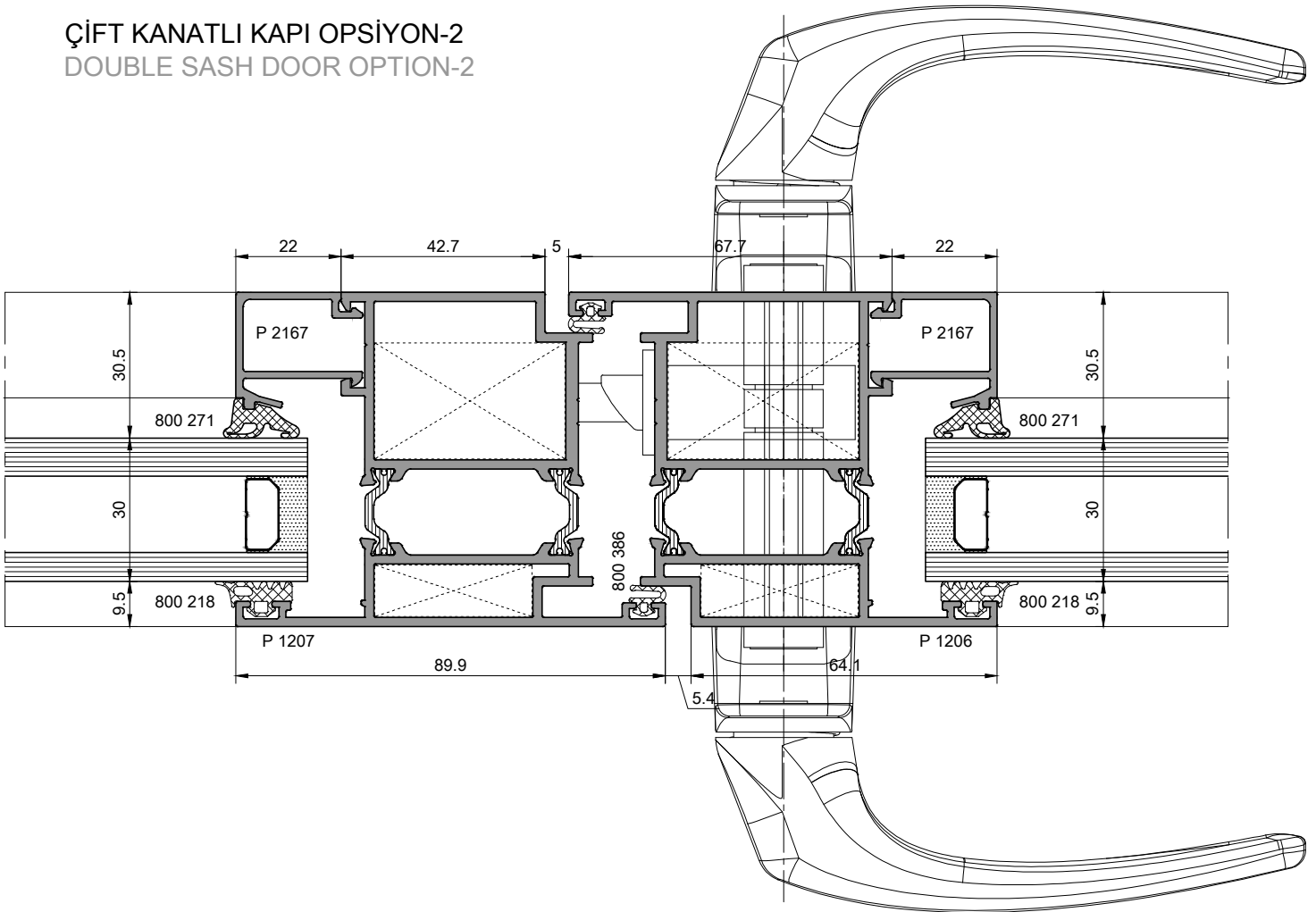


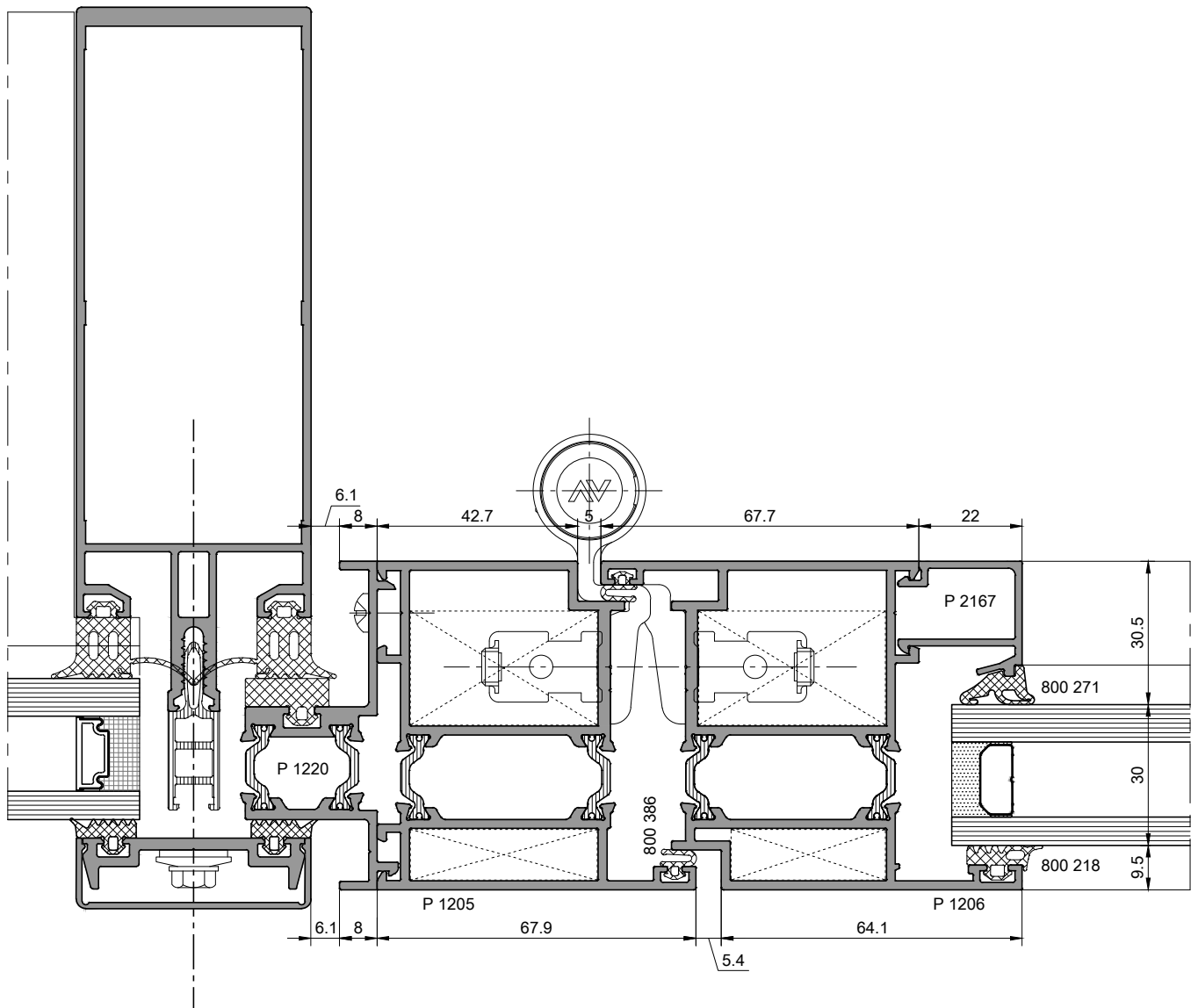
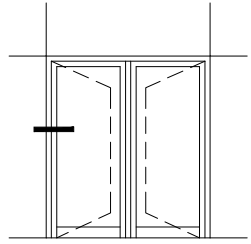
ÇİFT KANATLI KAPI OPSİYON-1  
DOUBLE SASH DOOR OPTION-1

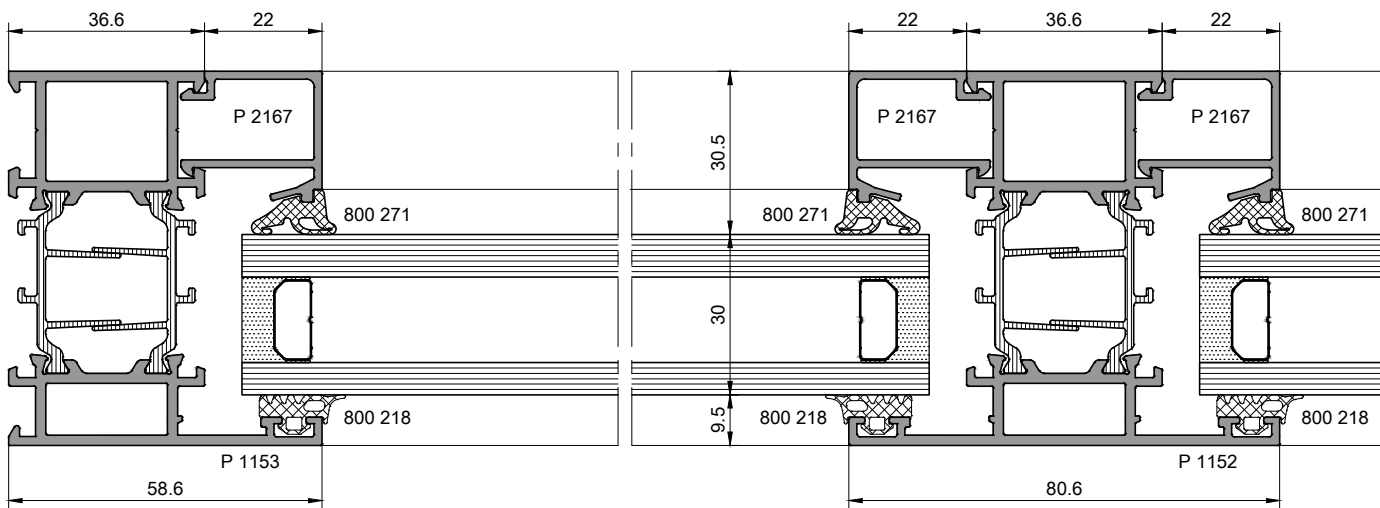
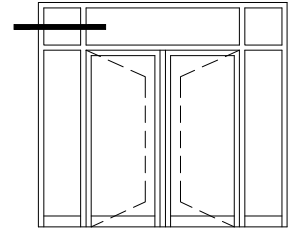


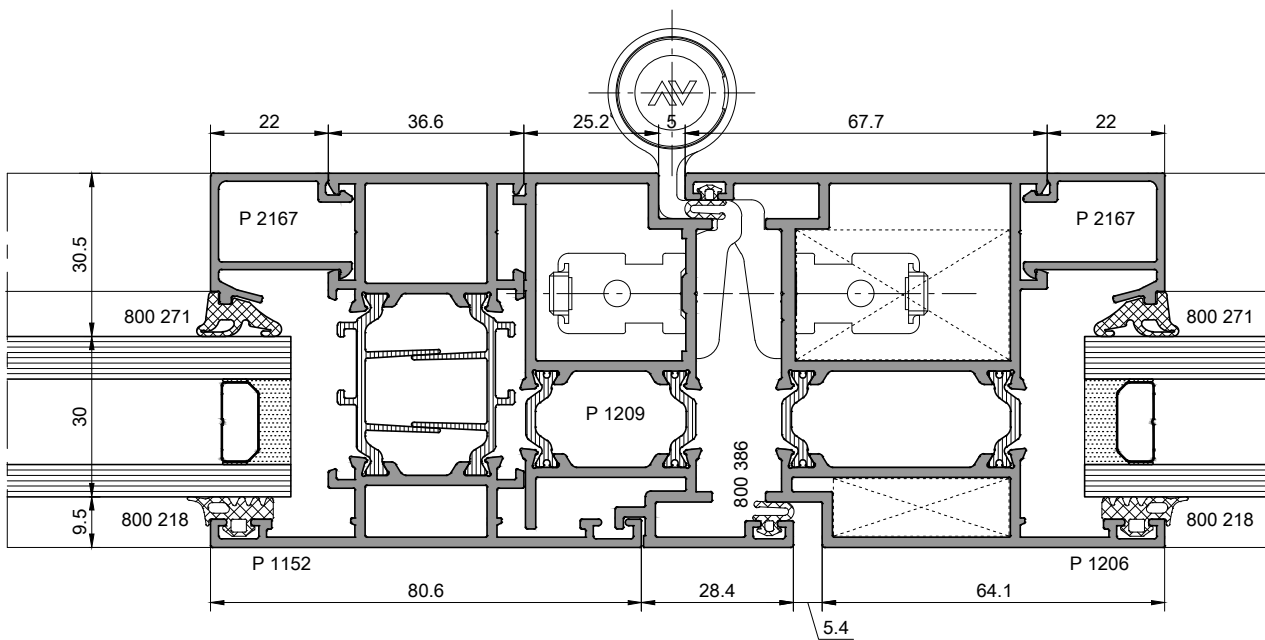
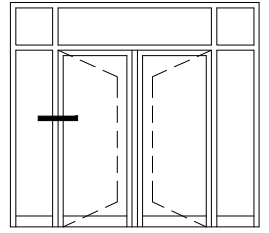


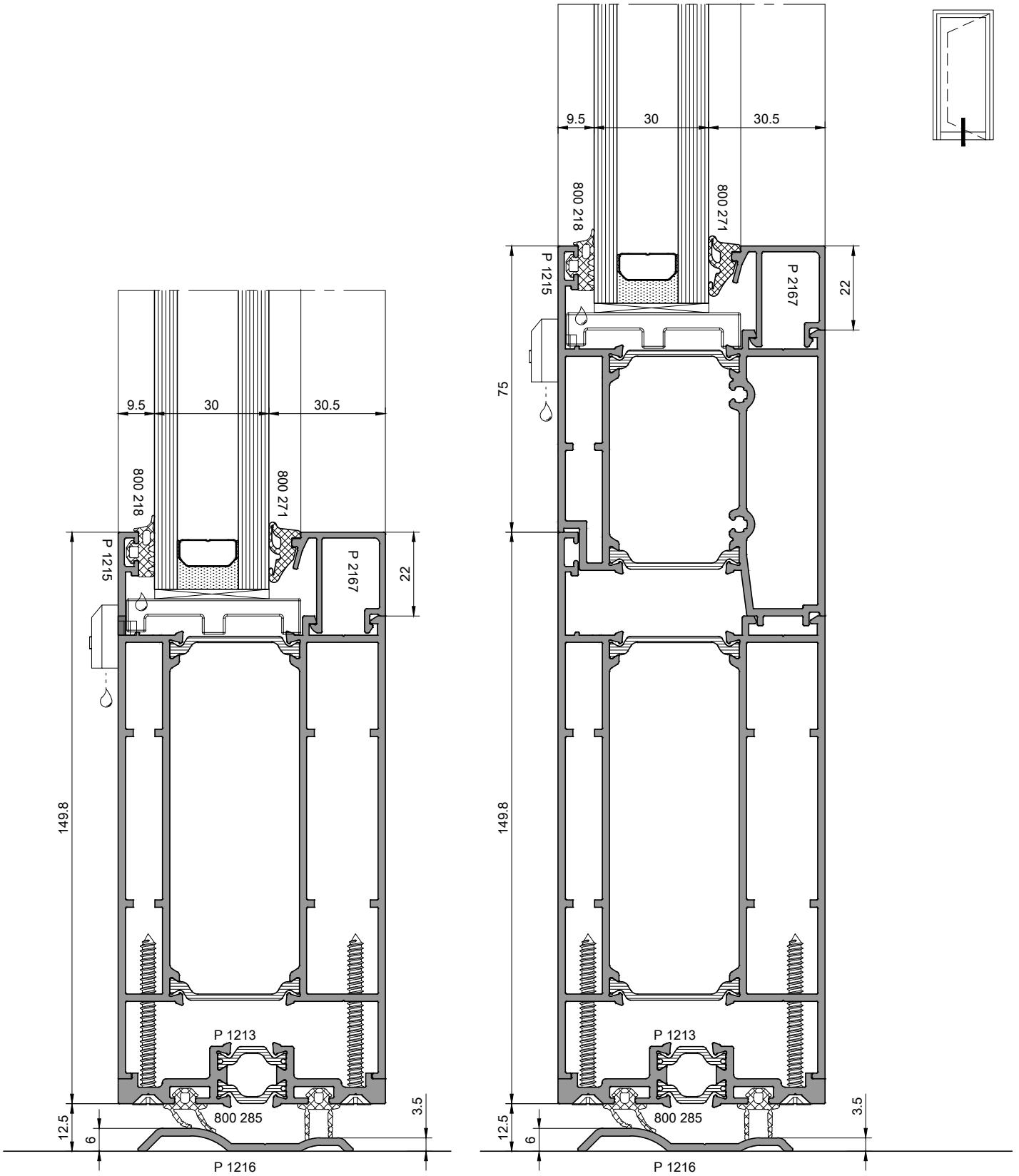
ÇİFT KANATLI KAPI OPSİYON-2  
DOUBLE SASH DOOR OPTION-2





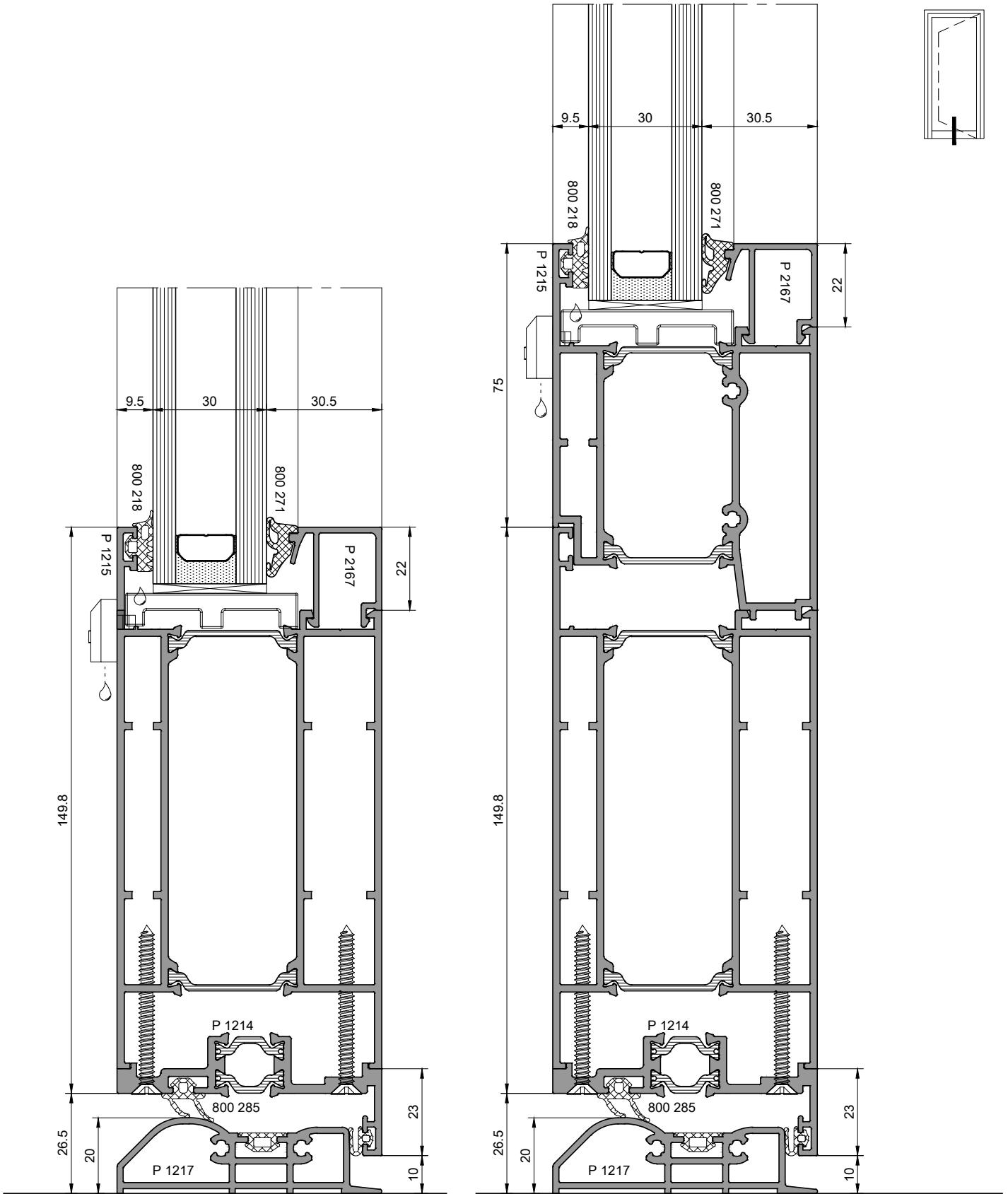






ETEK PROFİLİ OPSİYON-1  
SILL PROFILE OPTION-1

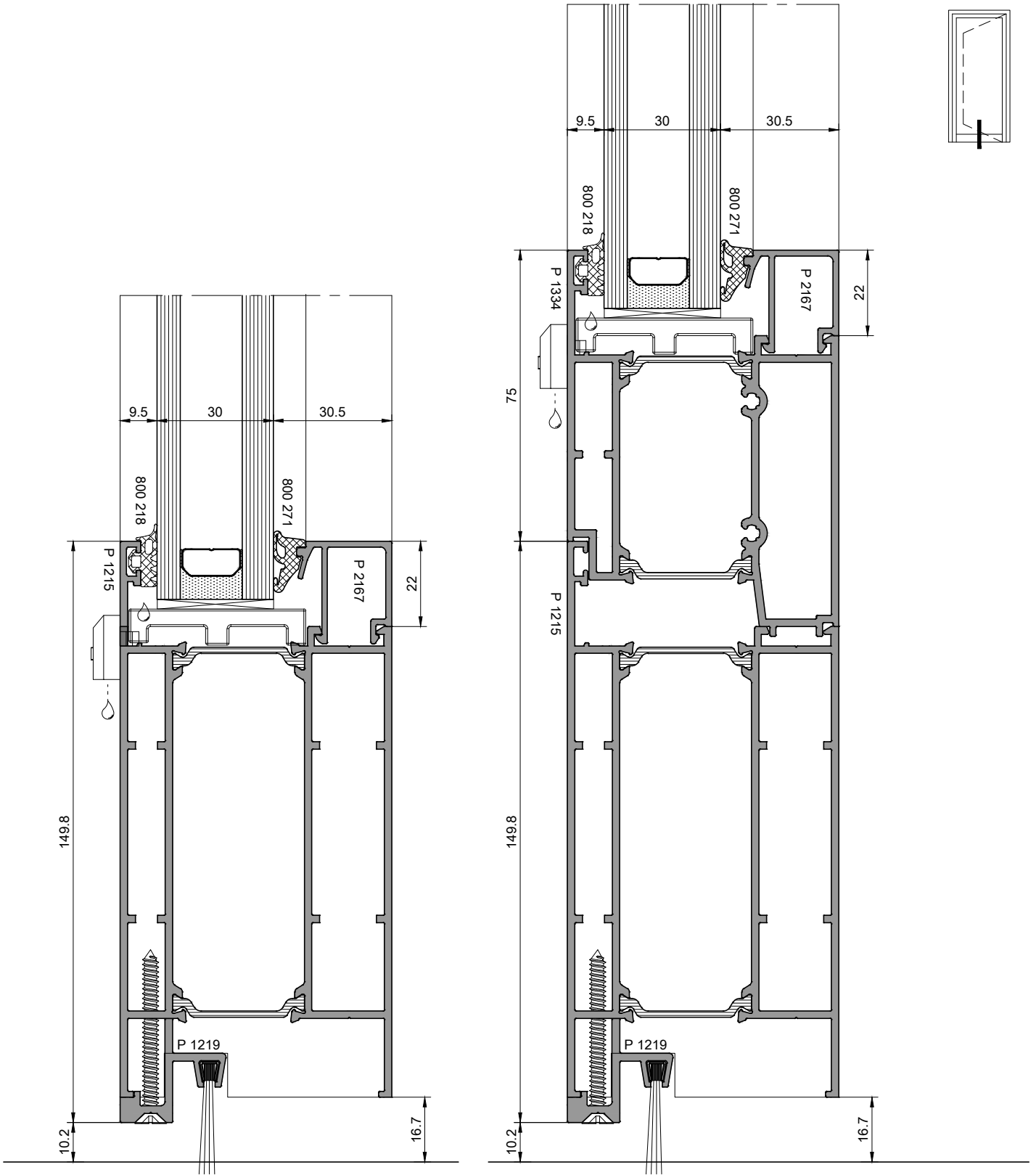
ETEK PROFİLİ OPSİYON-2  
SILL PROFILE OPTION-2



ETEK PROFİLİ OPSİYON-1  
SILL PROFILE OPTION-1

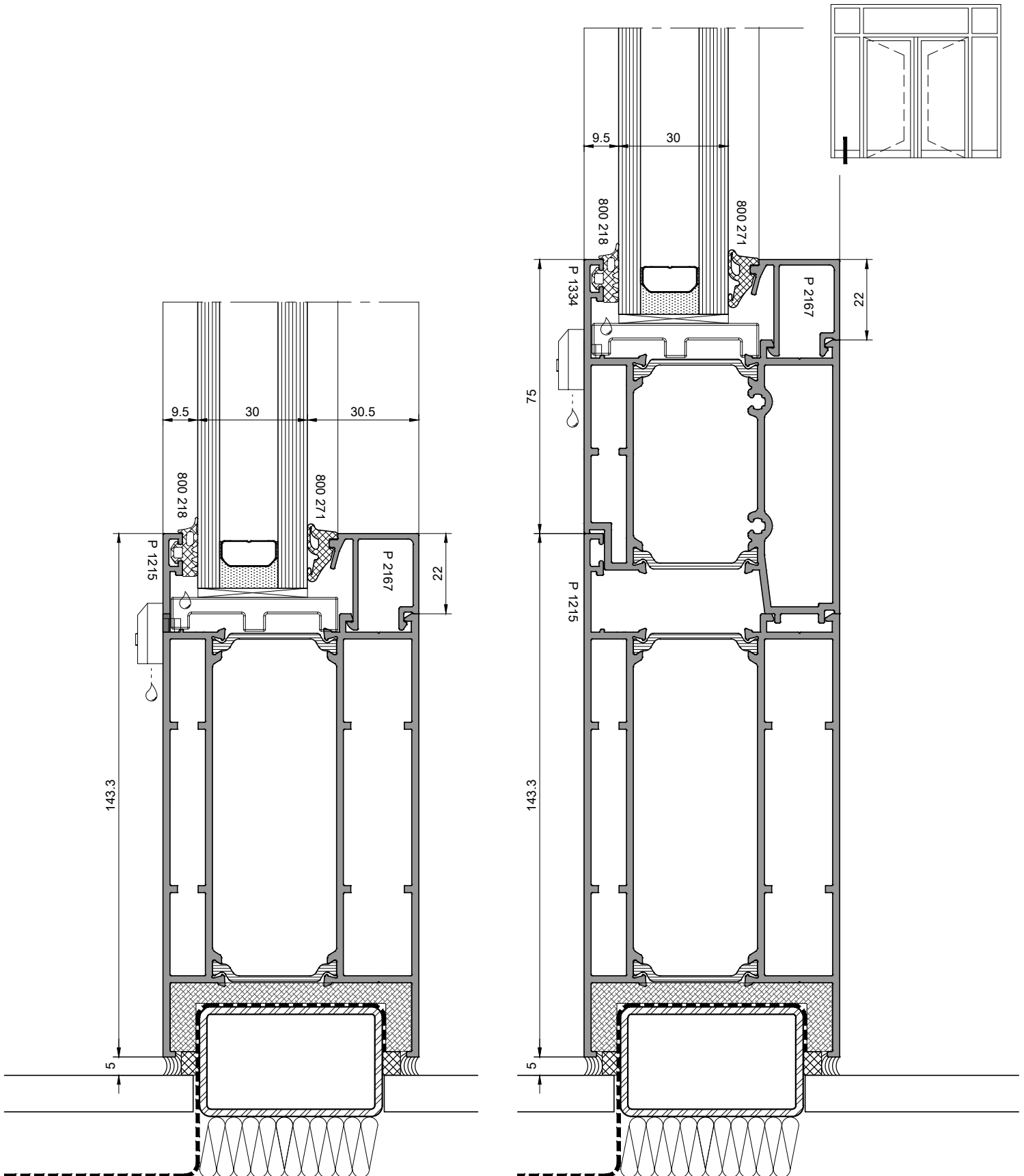
ETEK PROFİLİ OPSİYON-2  
SILL PROFILE OPTION-2

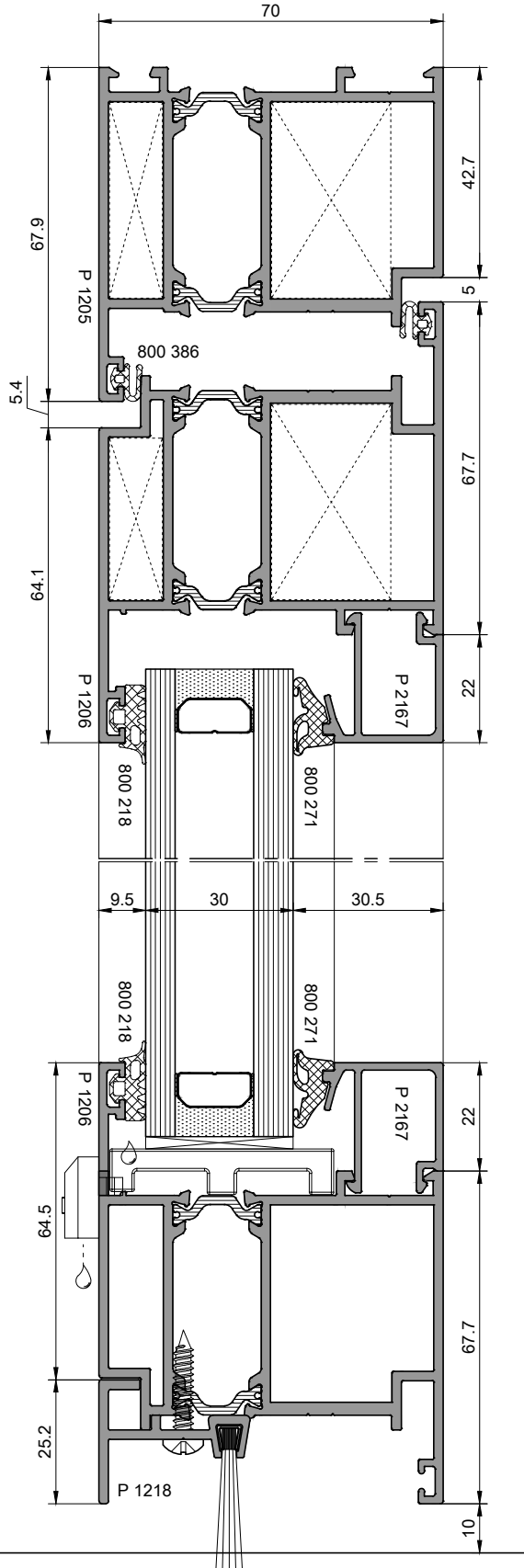




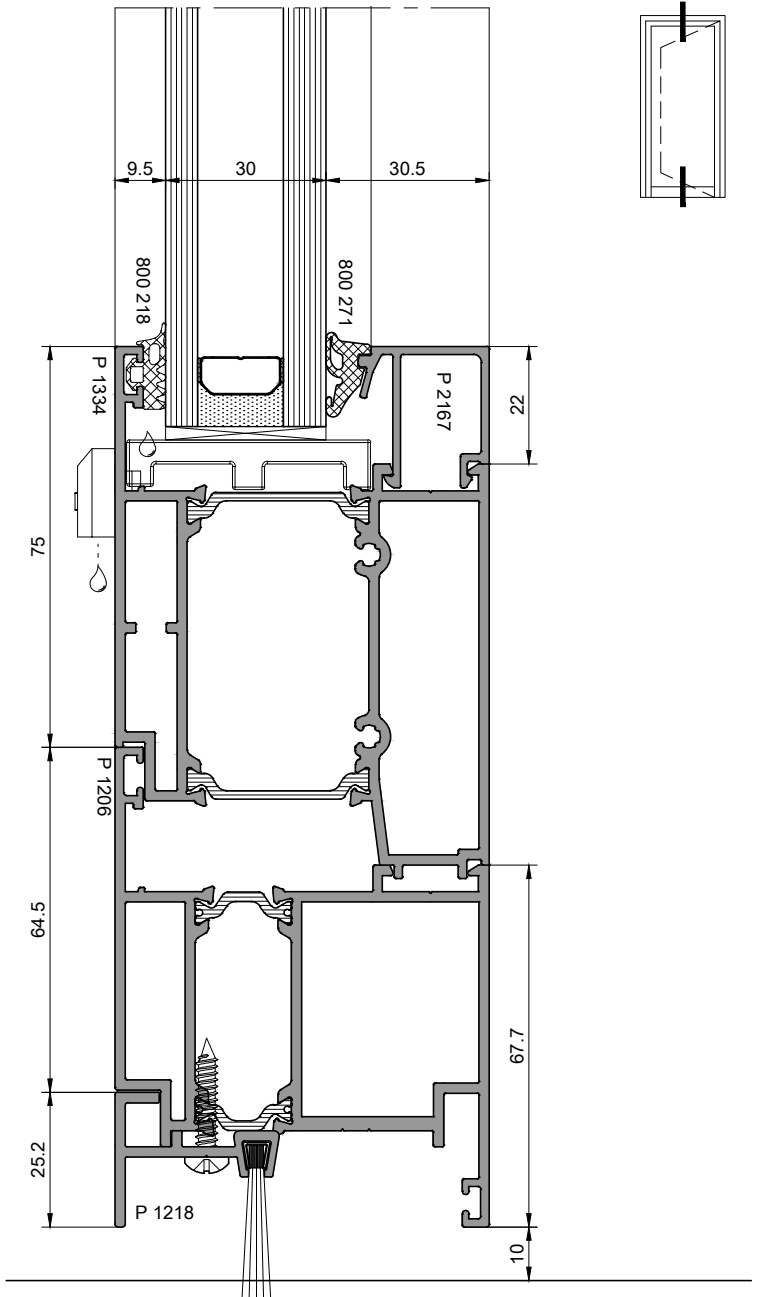
ETEK PROFİLİ OPSİYON-1  
SILL PROFILE OPTION-1

ETEK PROFİLİ OPSİYON-2  
SILL PROFILE OPTION-2

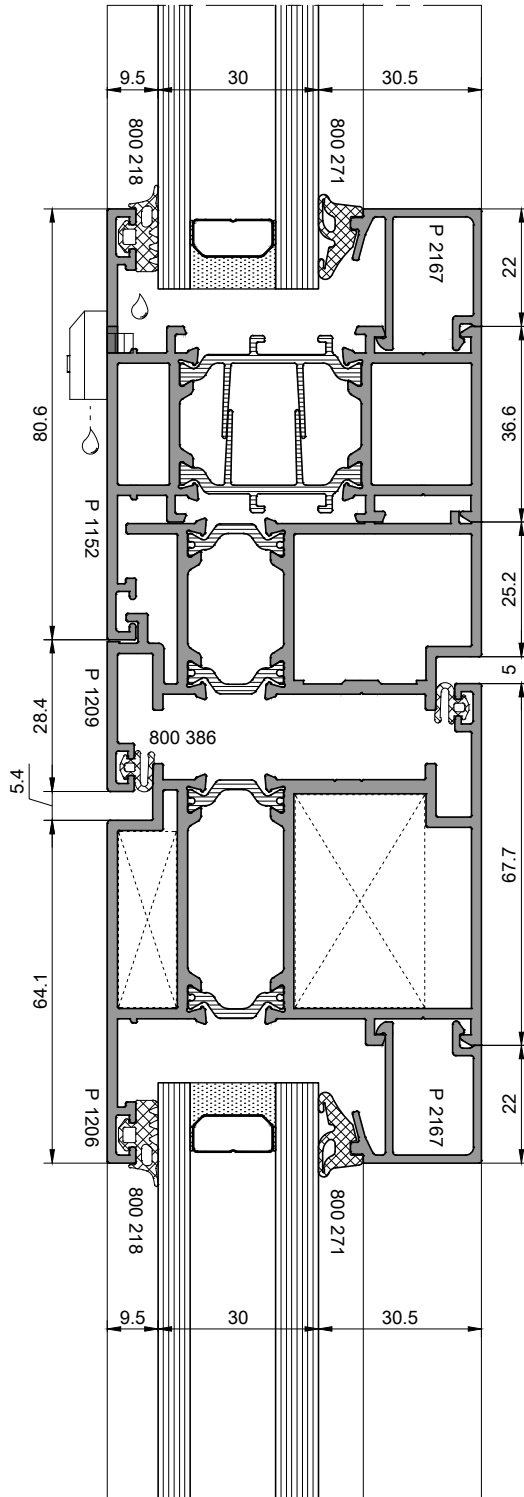
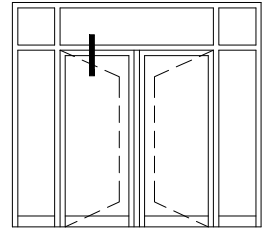


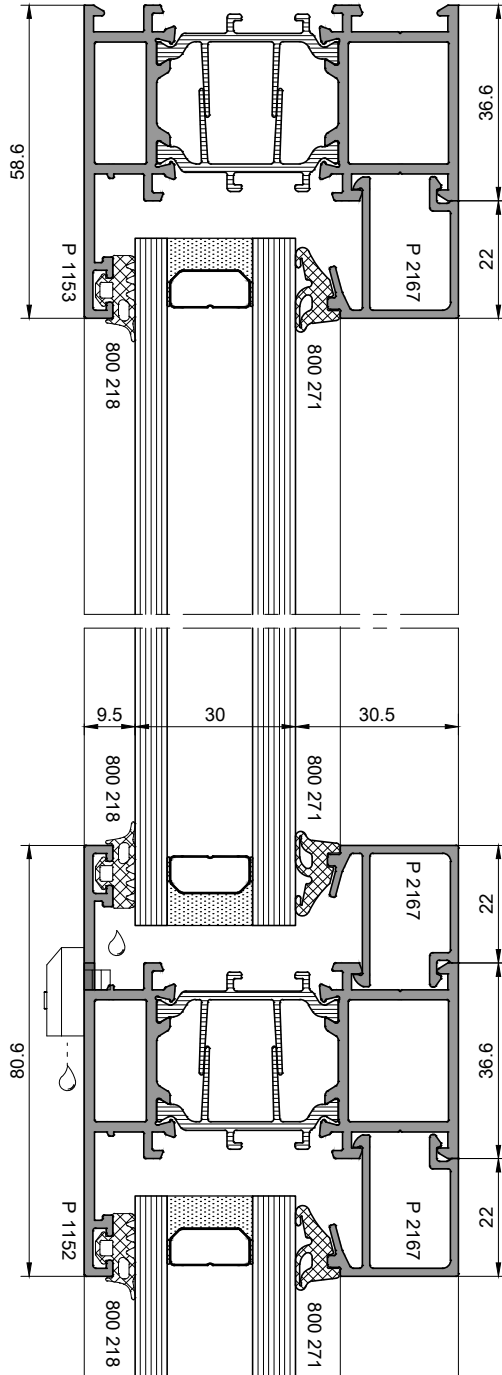
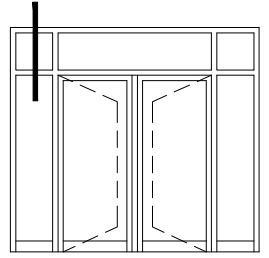


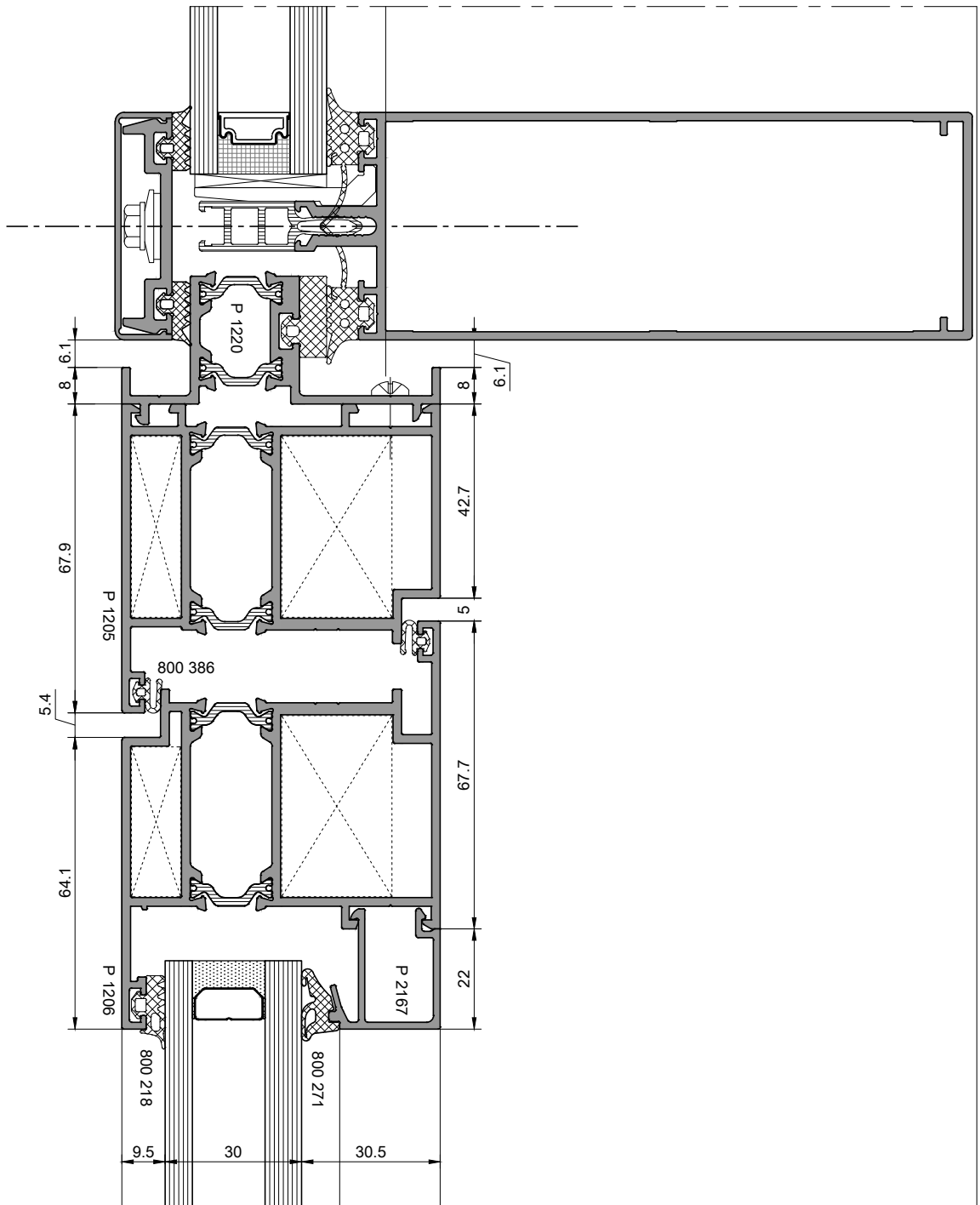
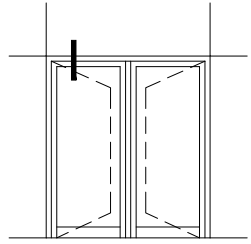
ETEK PROFİLİ OPSİYON-1  
SILL PROFILE OPTION-1

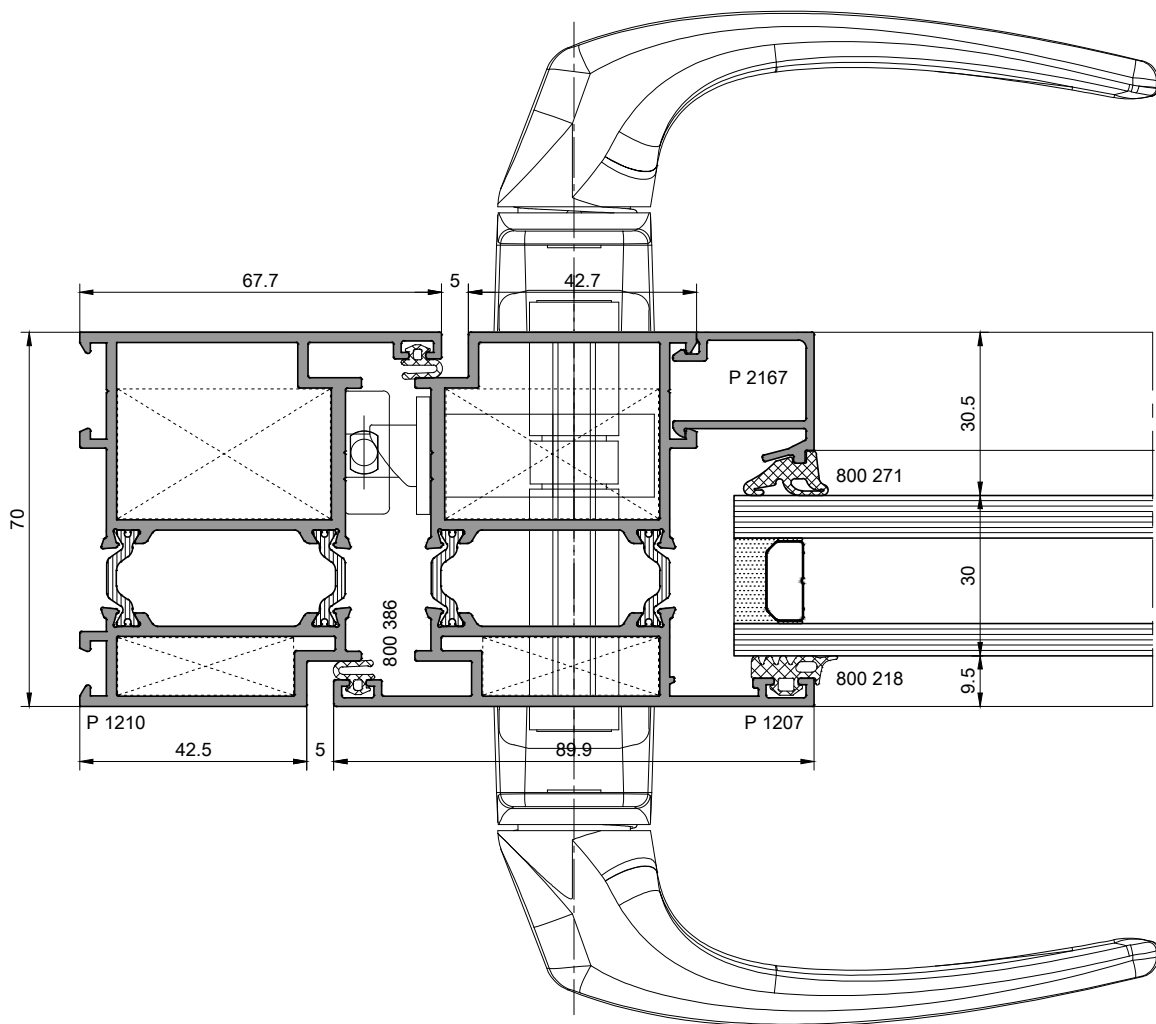
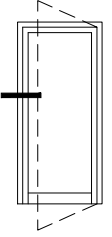


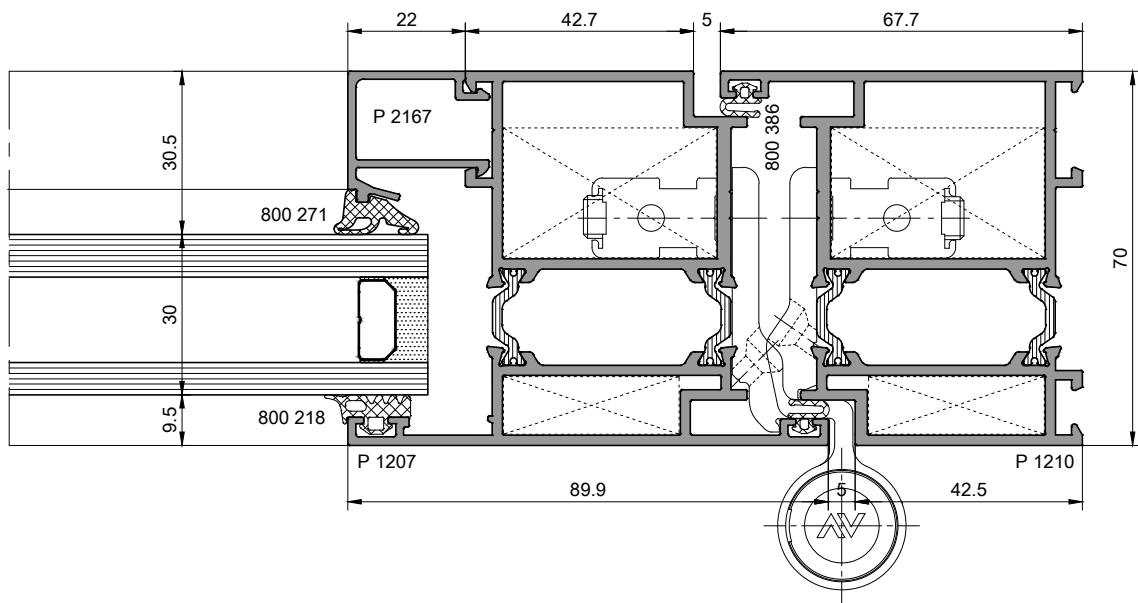
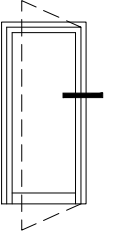
ETEK PROFİLİ OPSİYON-2  
SILL PROFILE OPTION-2



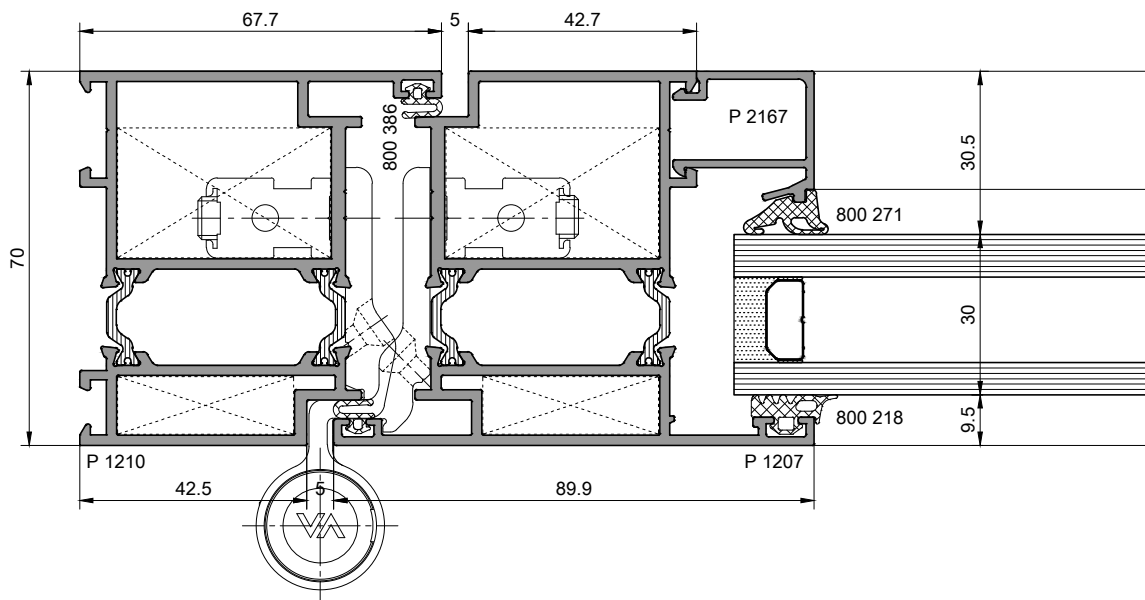
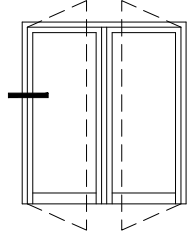


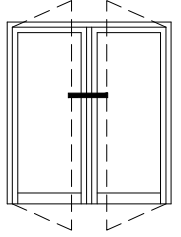




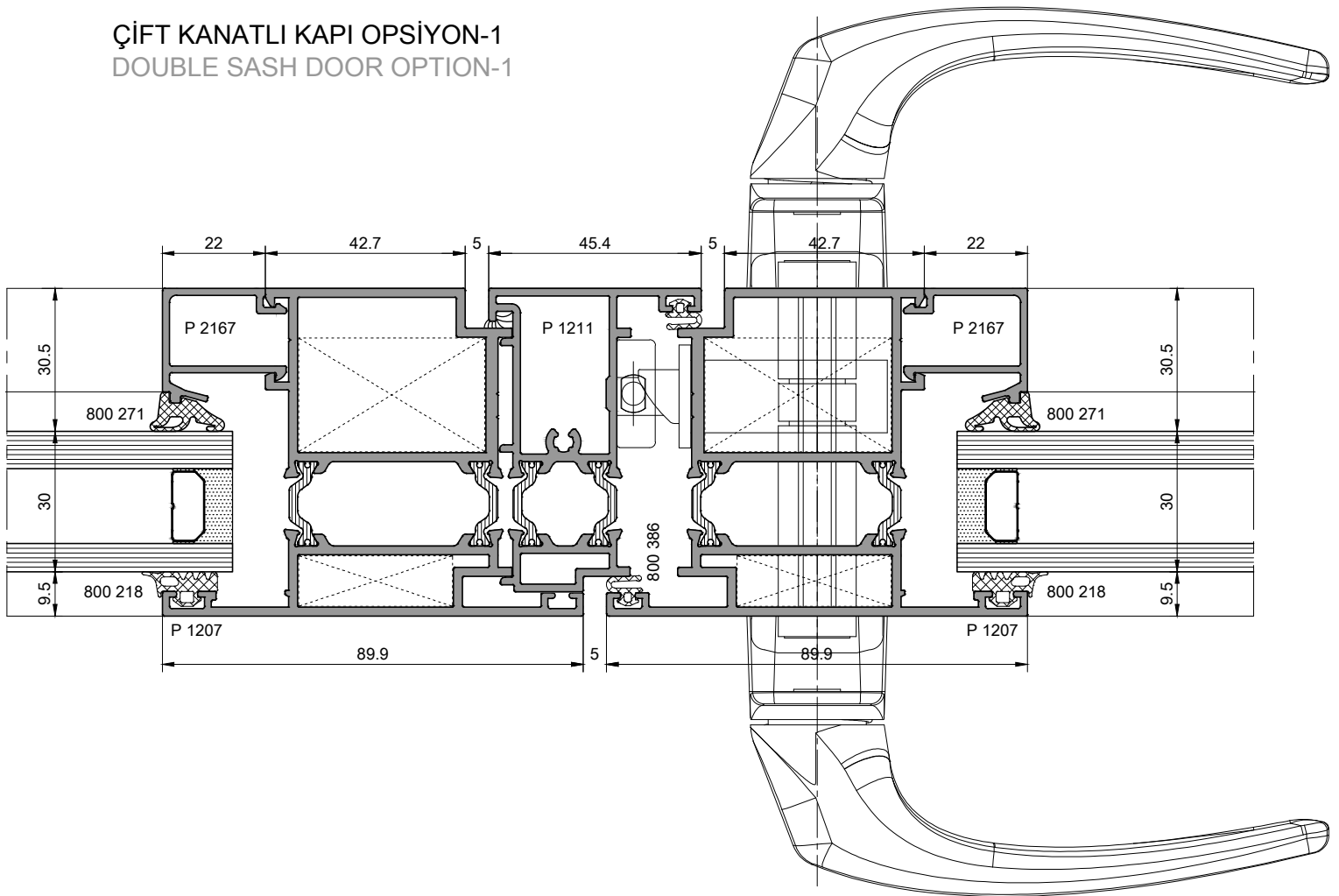


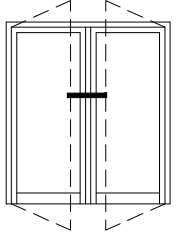




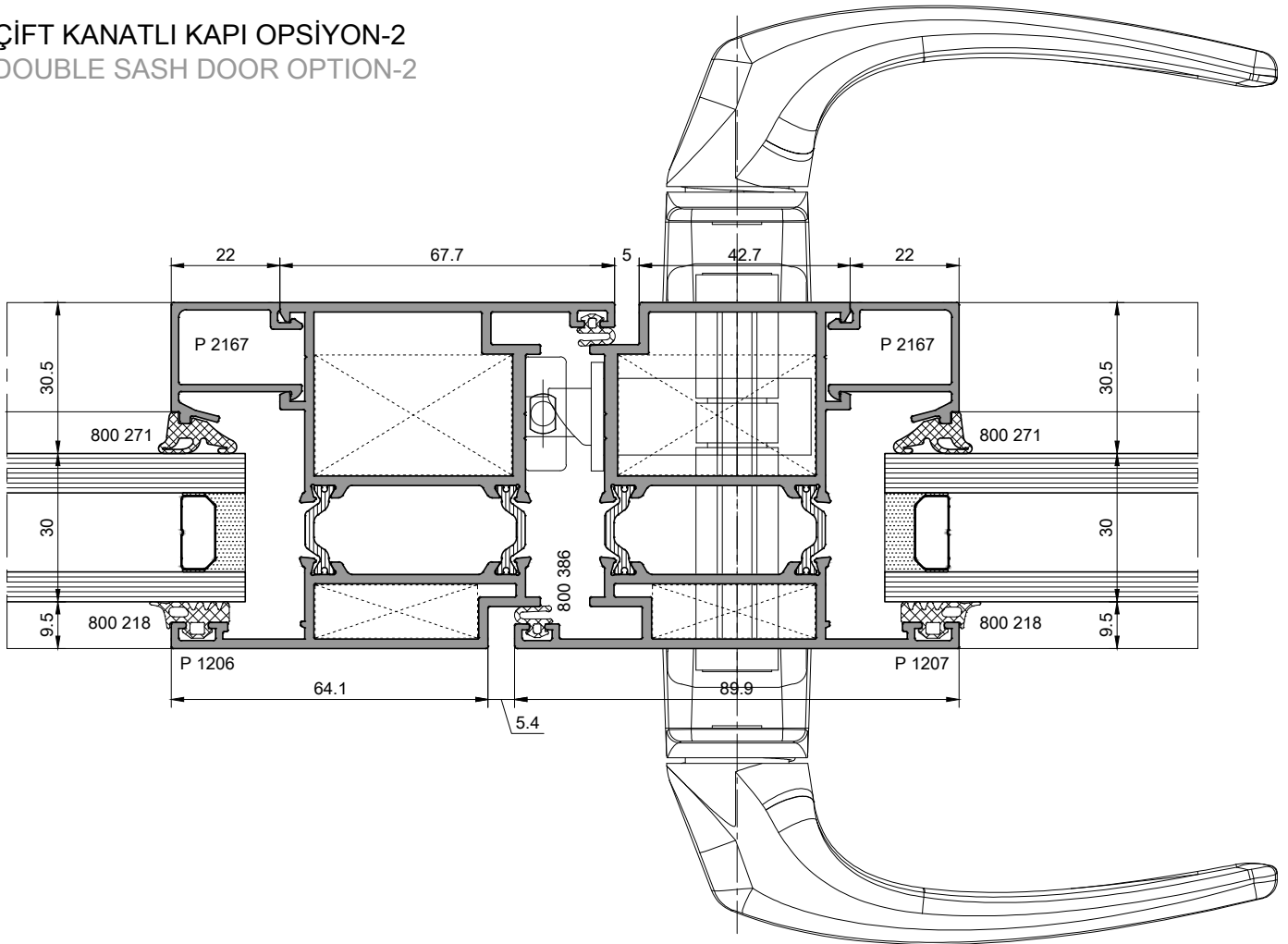


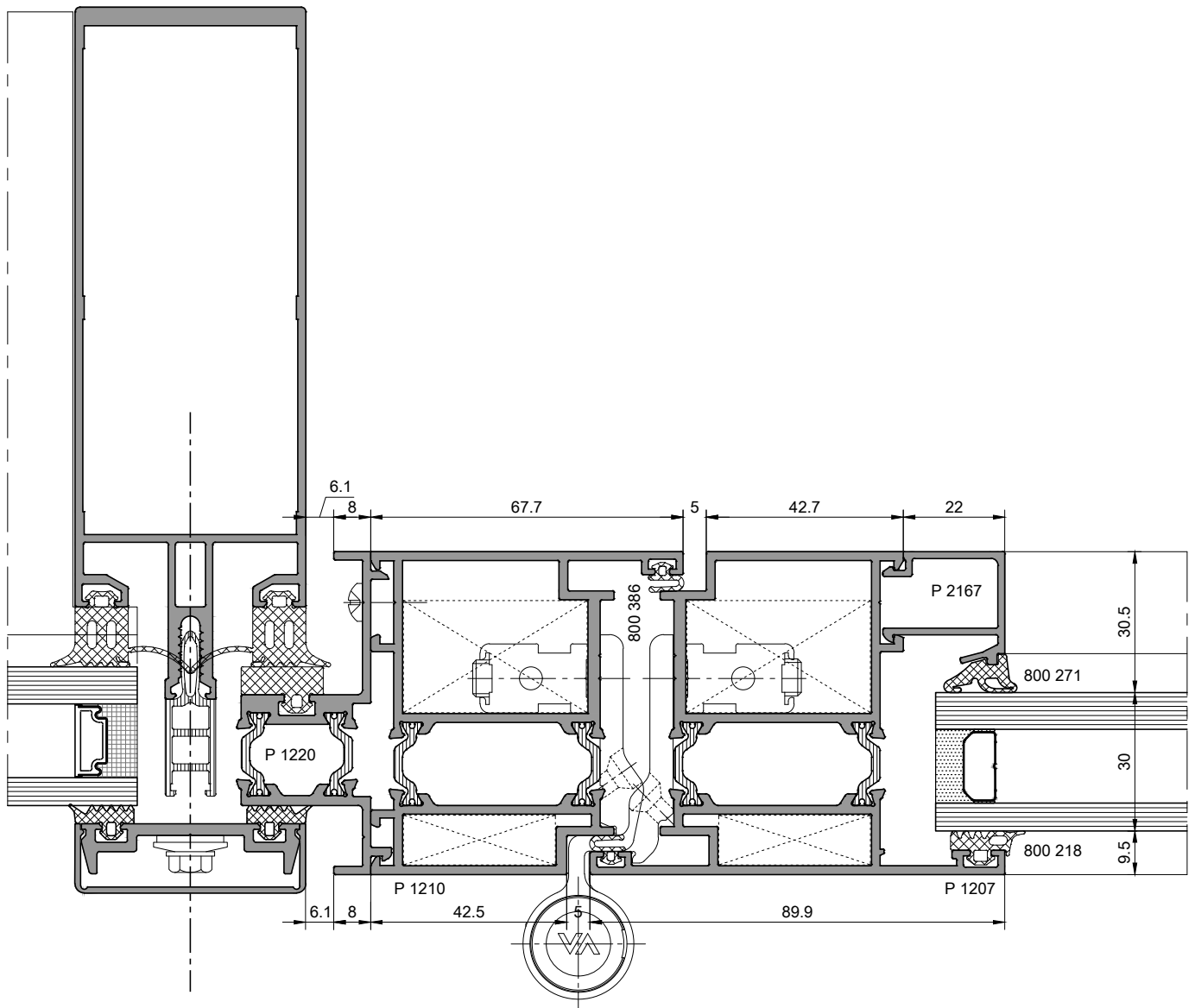
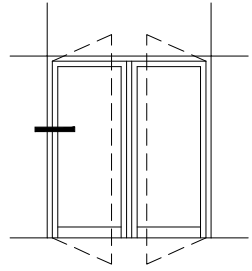
ÇİFT KANATLI KAPI OPSİYON-1  
DOUBLE SASH DOOR OPTION-1

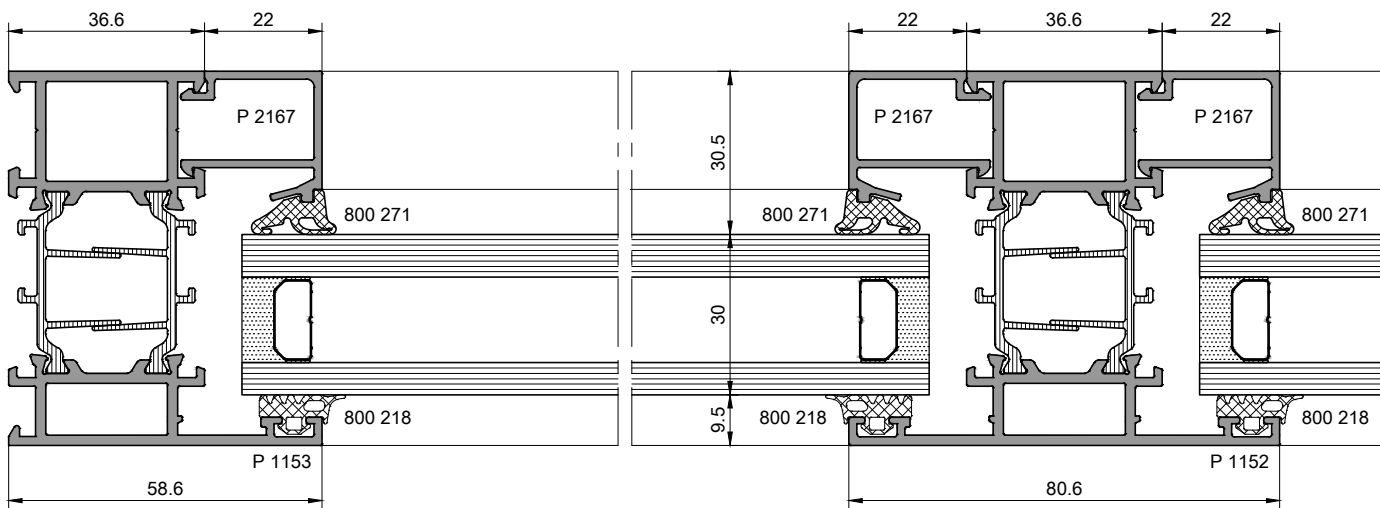
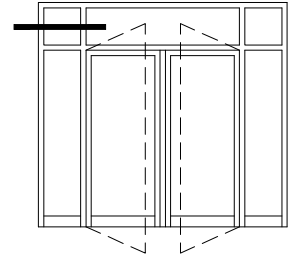


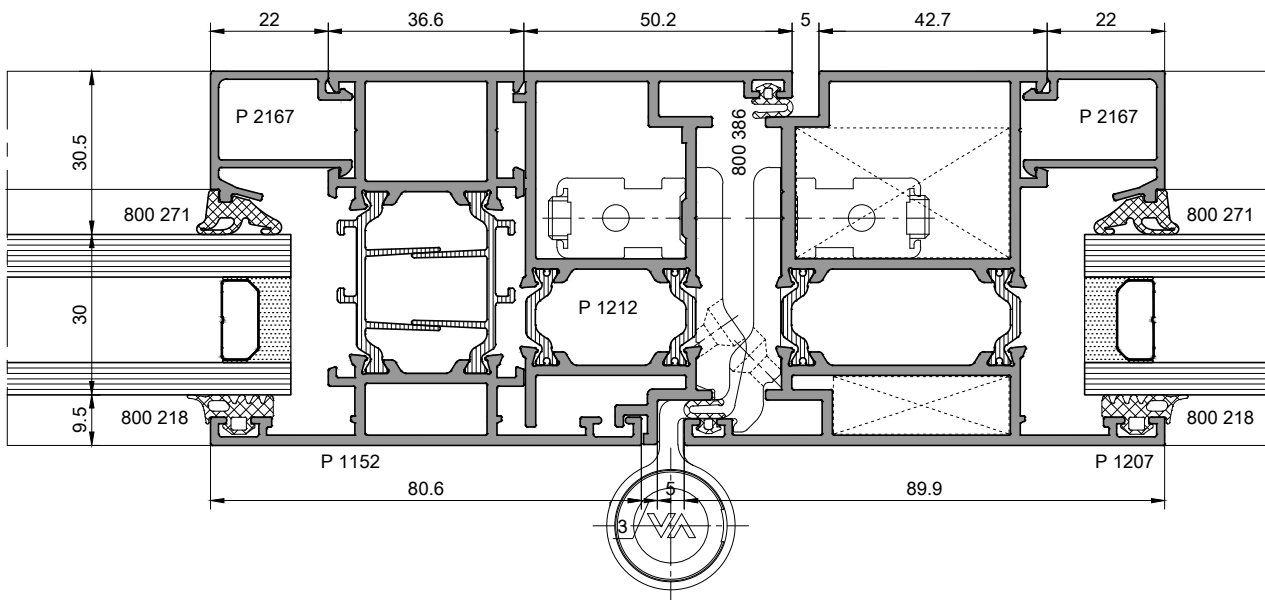
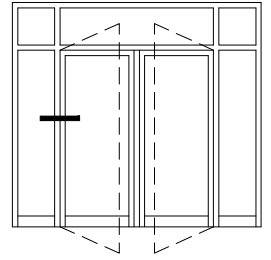


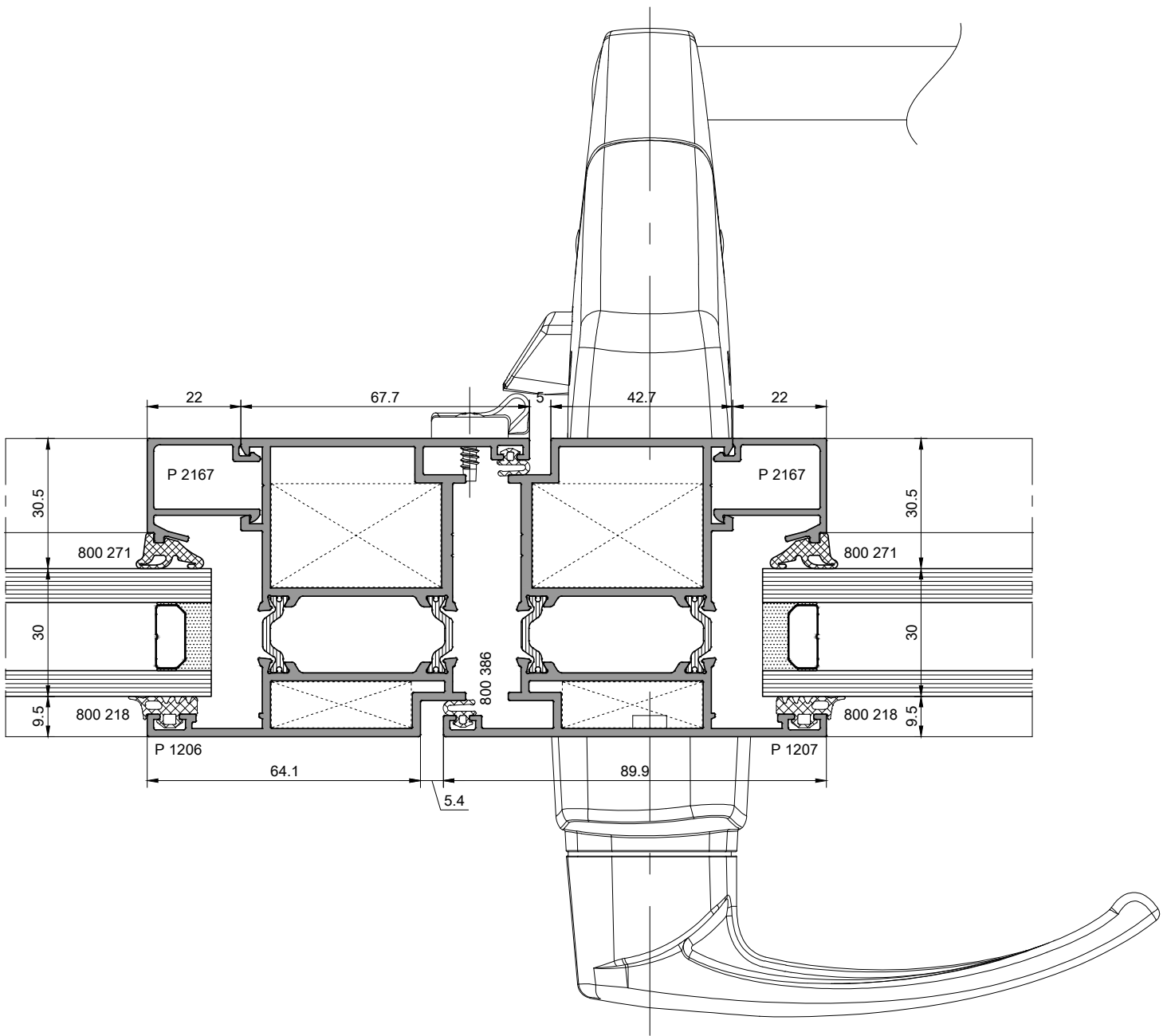
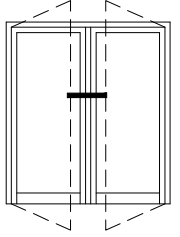
ÇİFT KANATLI KAPI OPSİYON-2  
DOUBLE SASH DOOR OPTION-2

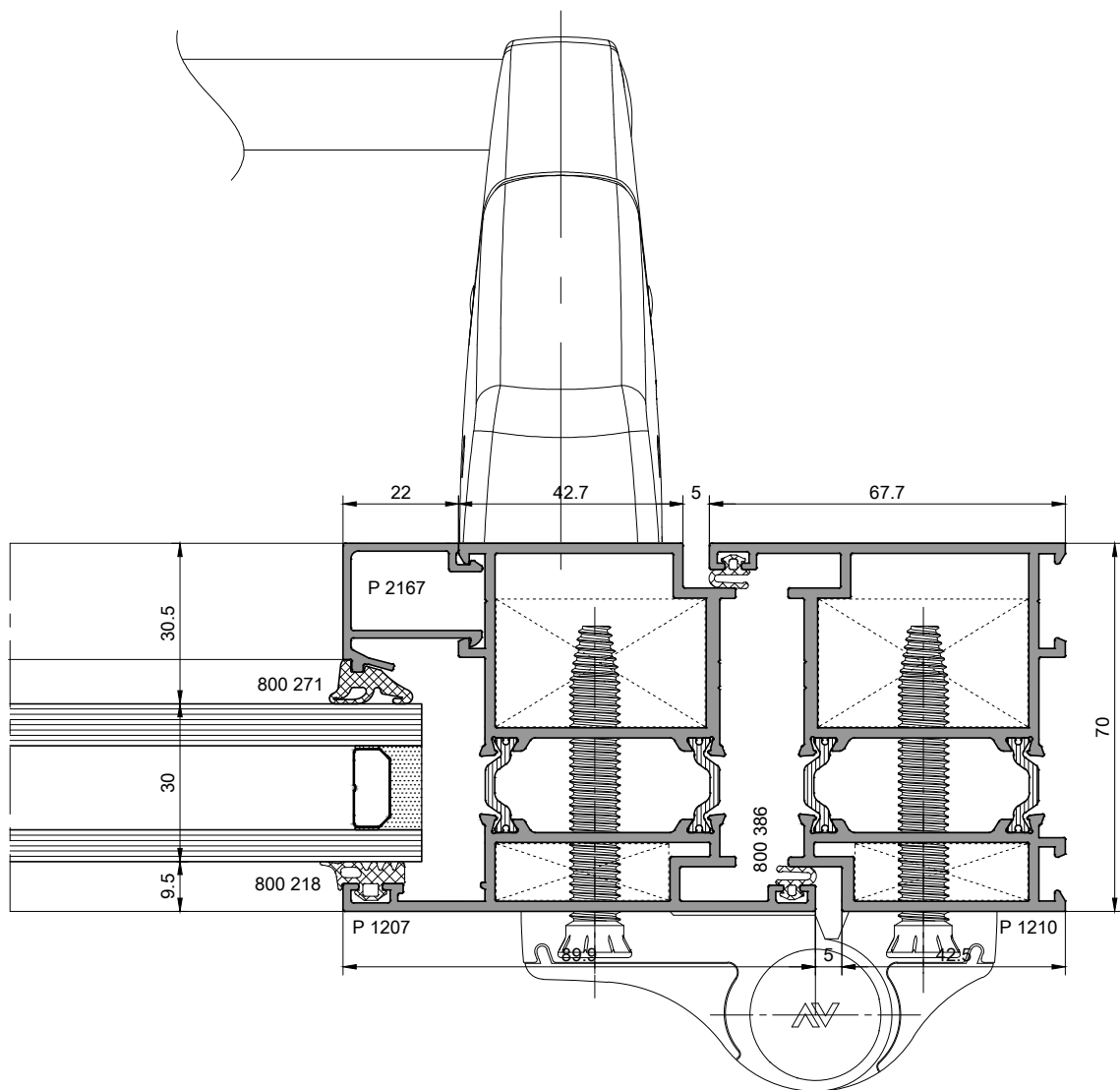
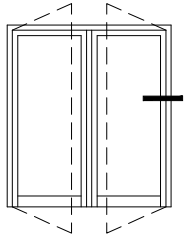




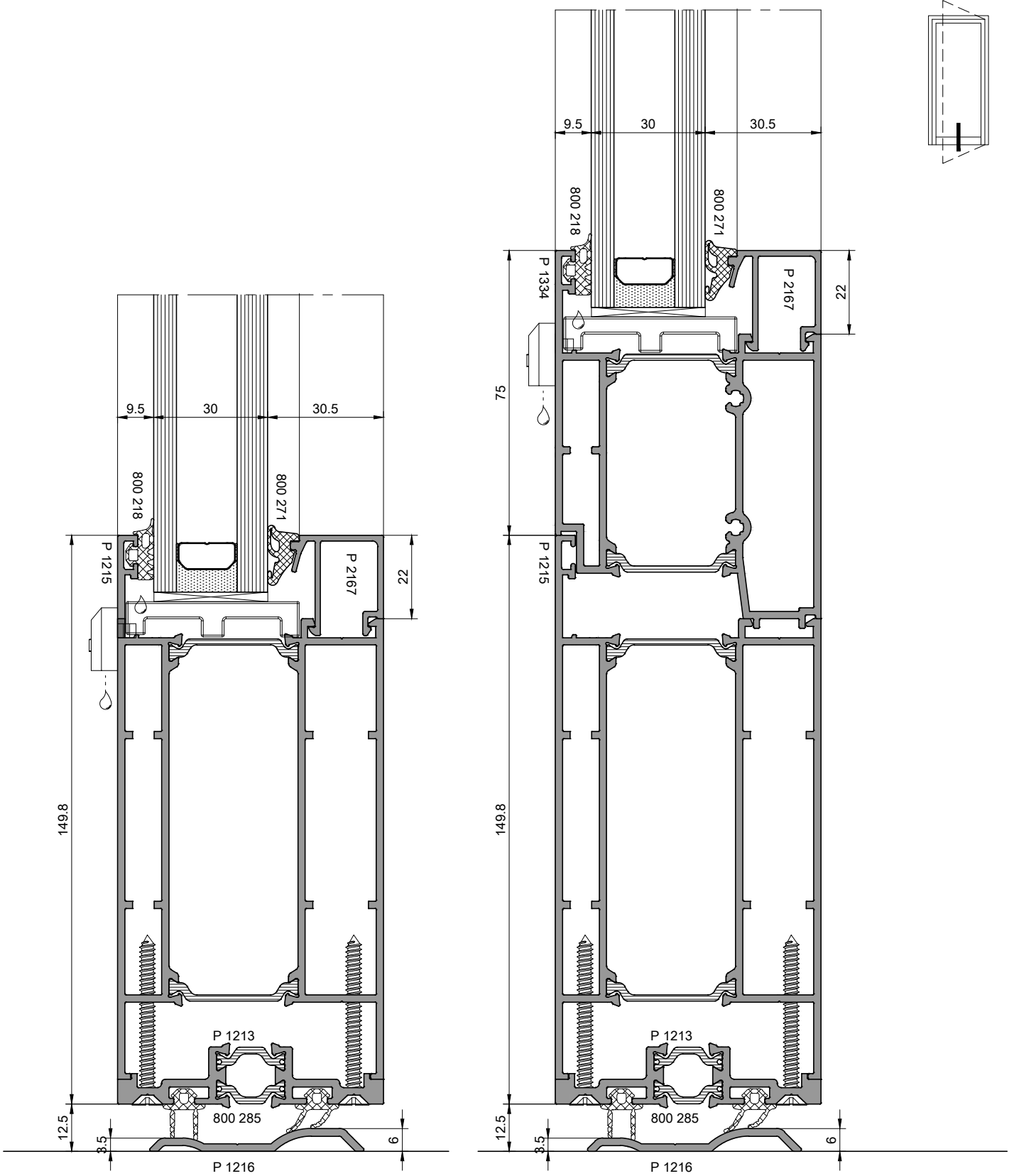






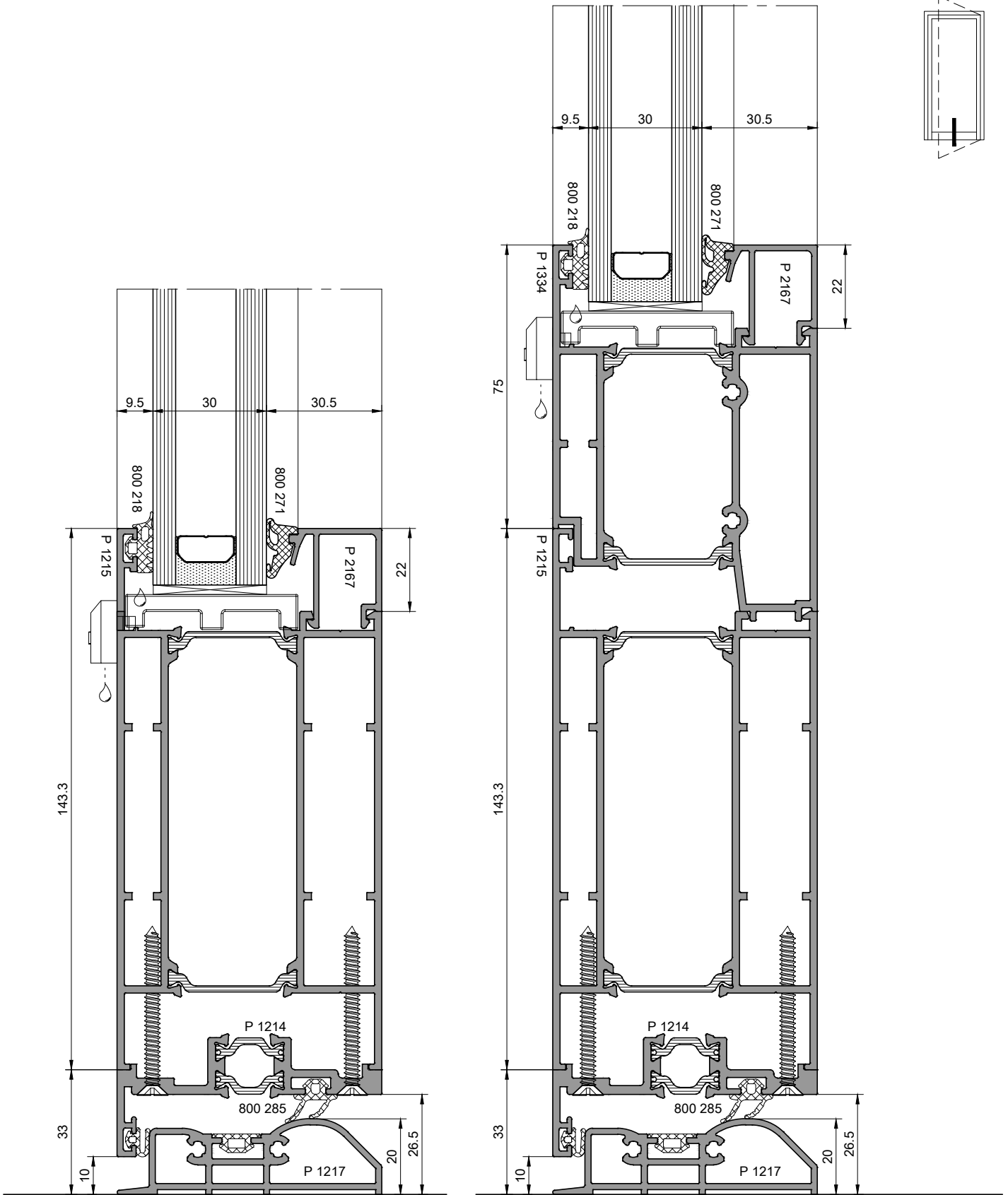






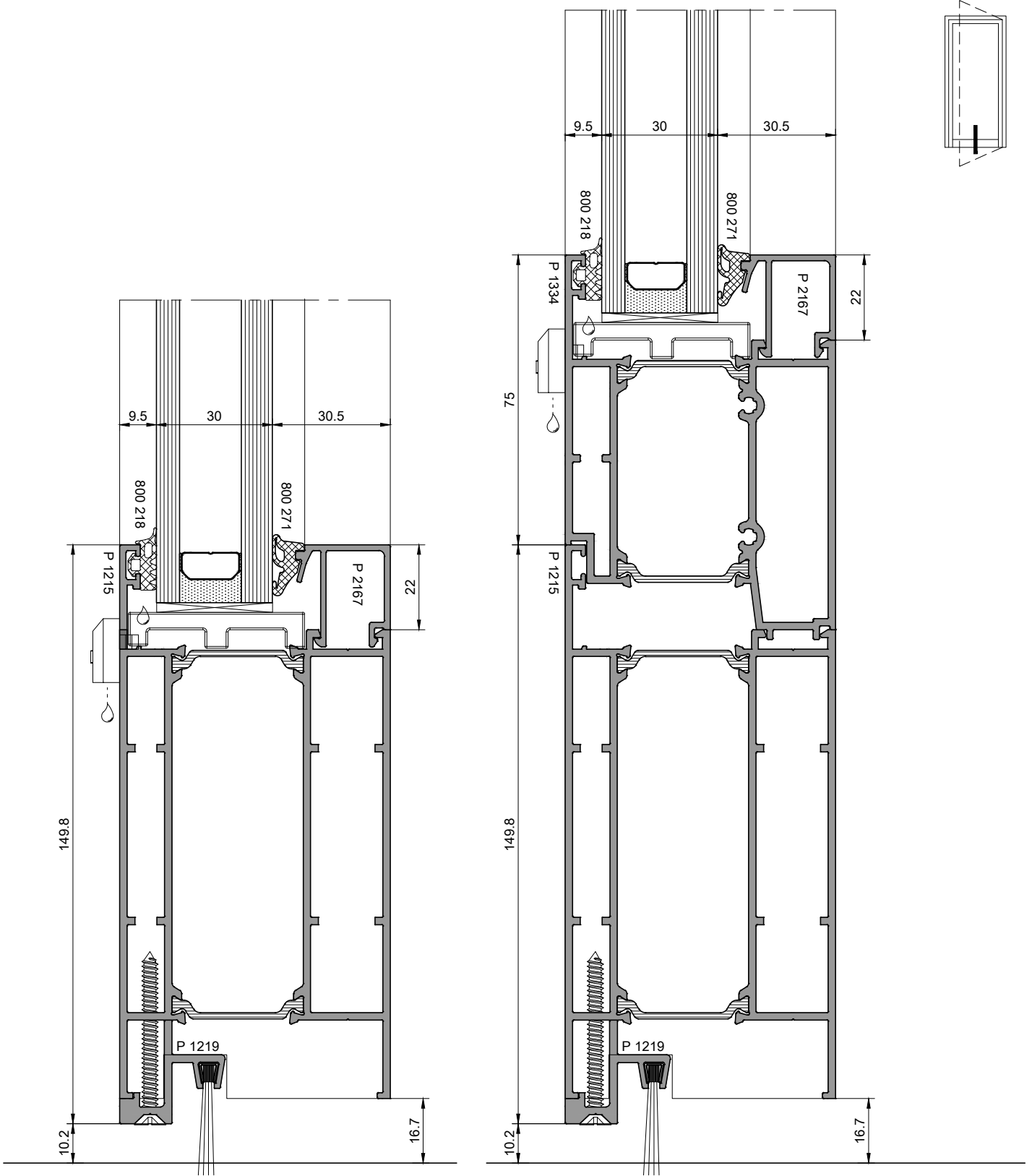
ETEK PROFİLİ OPSİYON-1  
SILL PROFILE OPTION-1

ETEK PROFİLİ OPSİYON-2  
SILL PROFILE OPTION-2



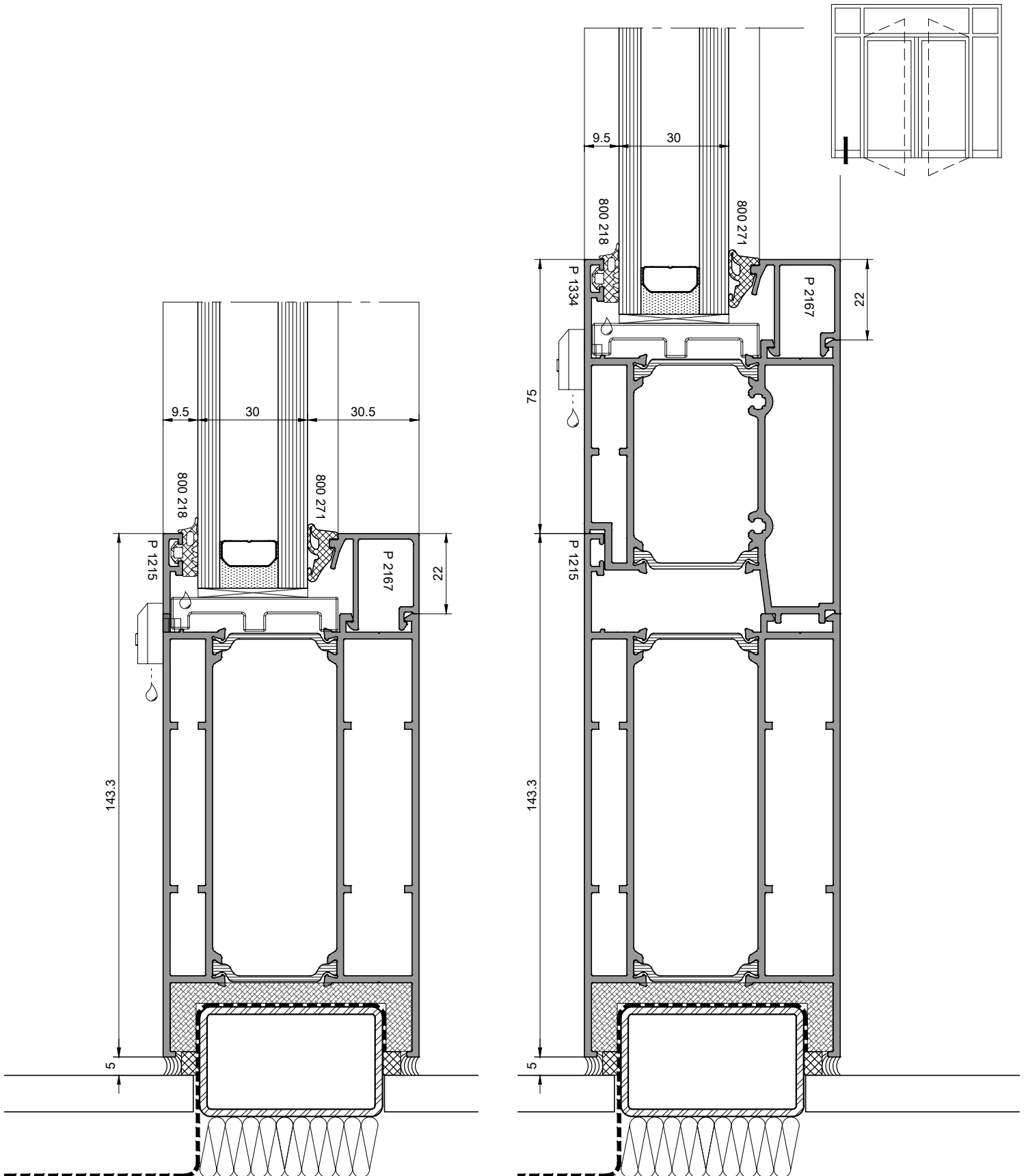
ETEK PROFİLİ OPSİYON-1  
SILL PROFILE OPTION-1

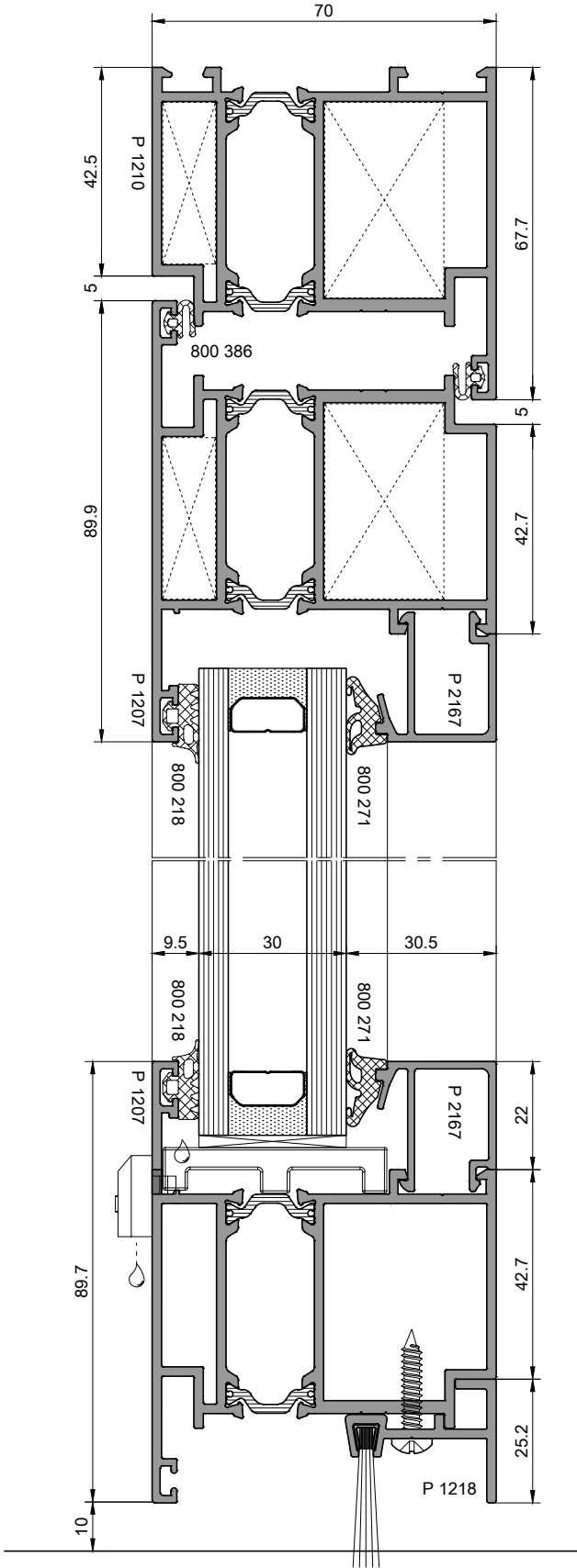
ETEK PROFİLİ OPSİYON-2  
SILL PROFILE OPTION-2



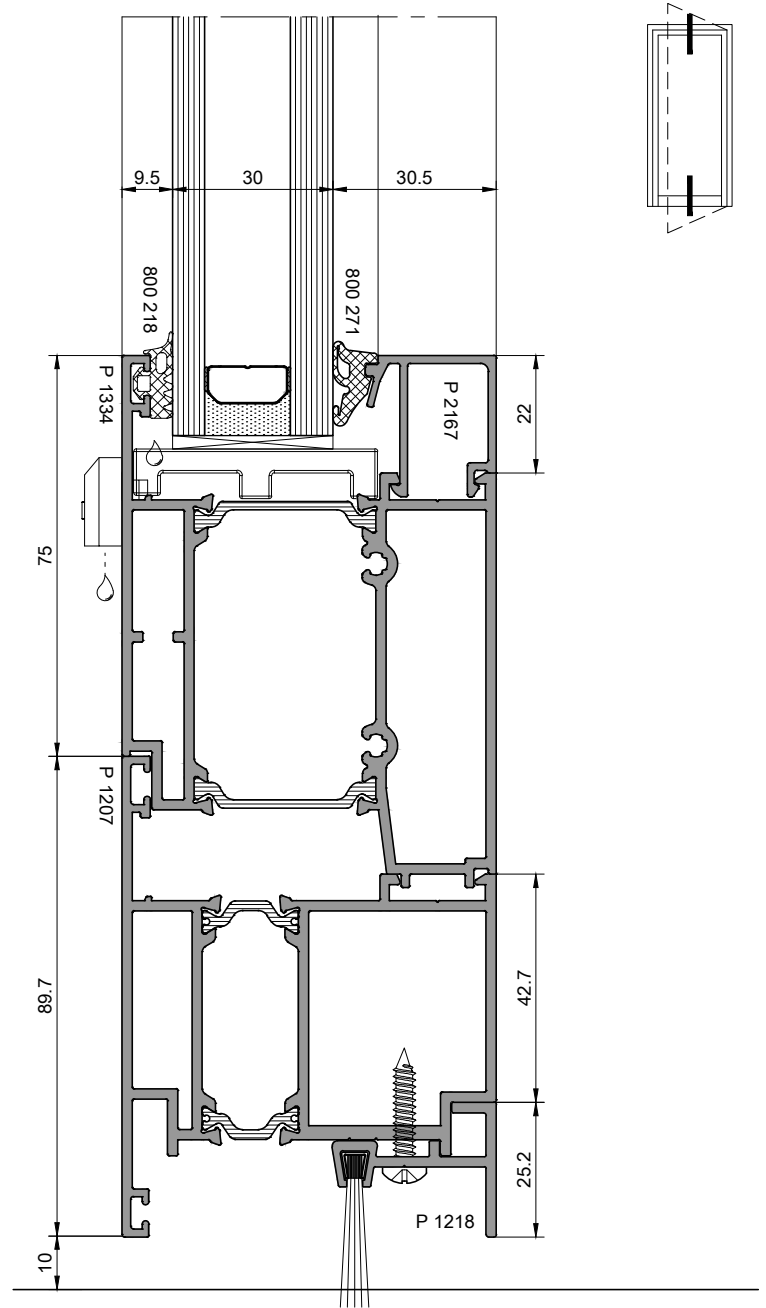
ETEK PROFİLİ OPSİYON-1  
SILL PROFILE OPTION-1

ETEK PROFİLİ OPSİYON-2  
SILL PROFILE OPTION-2

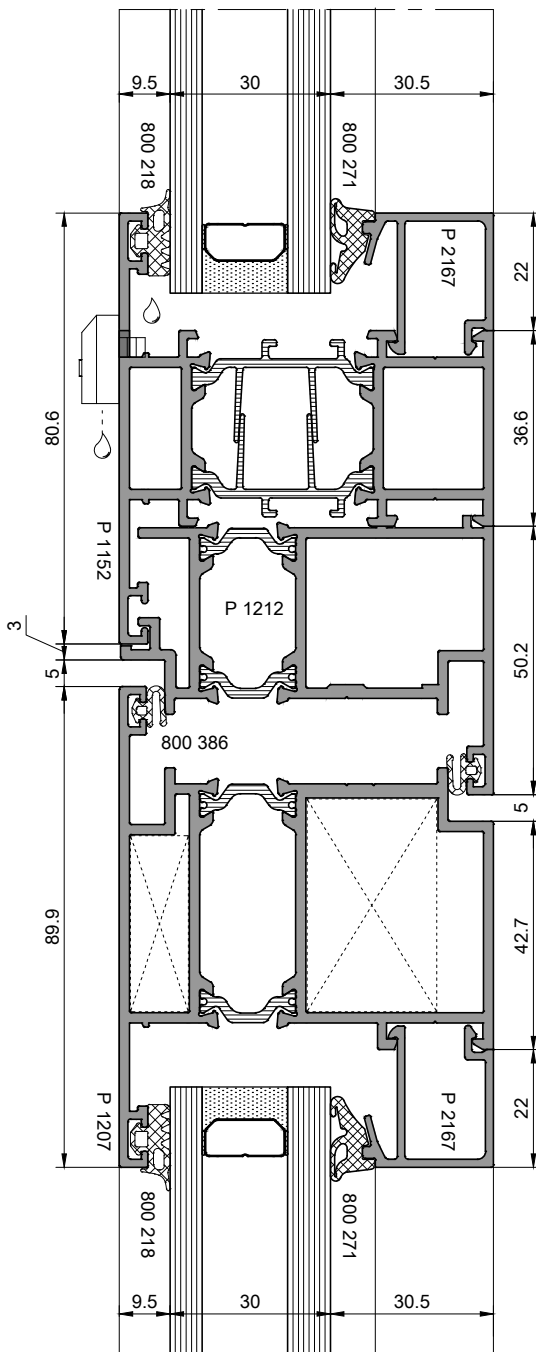
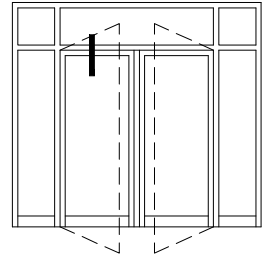


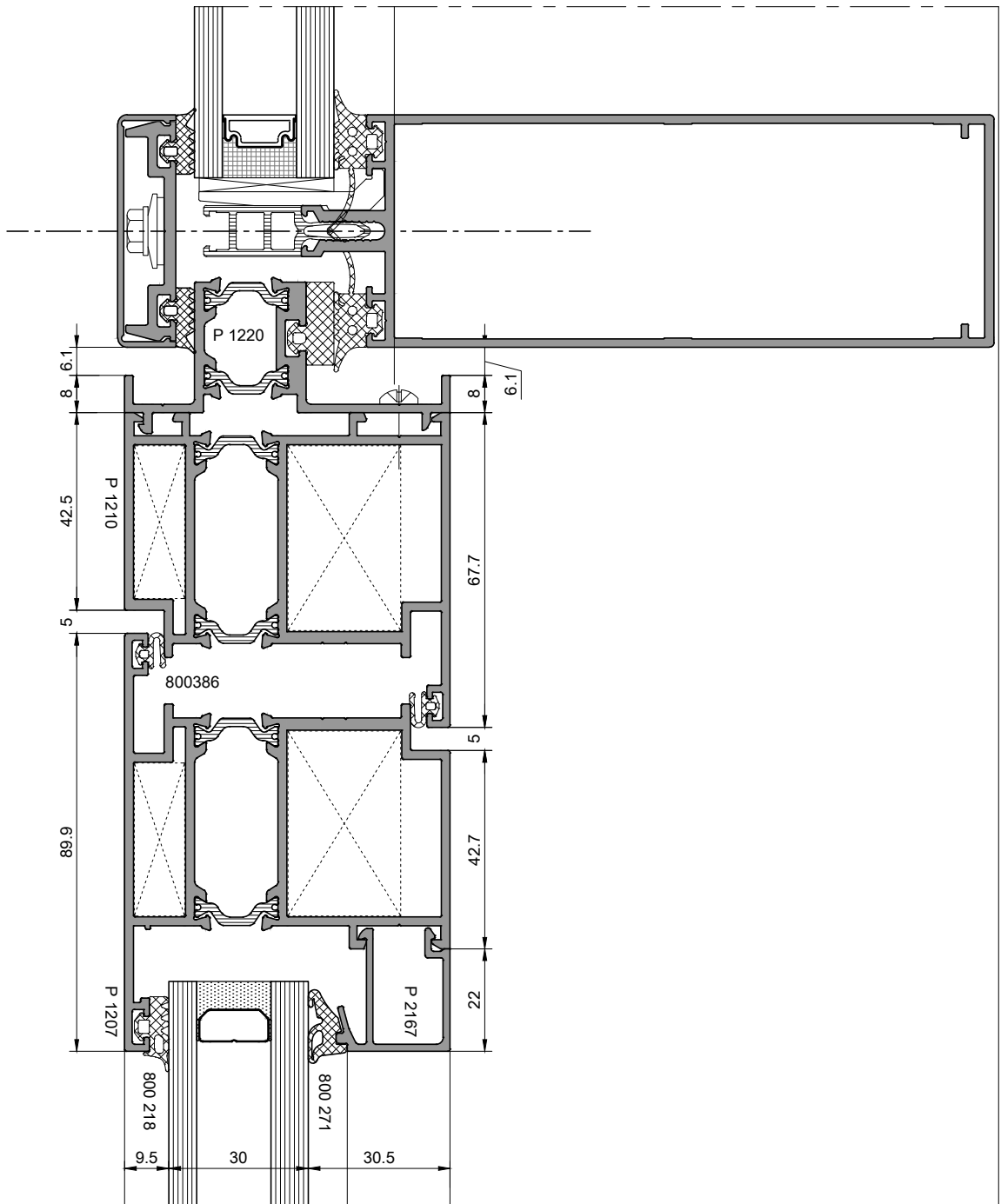
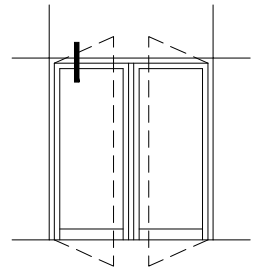


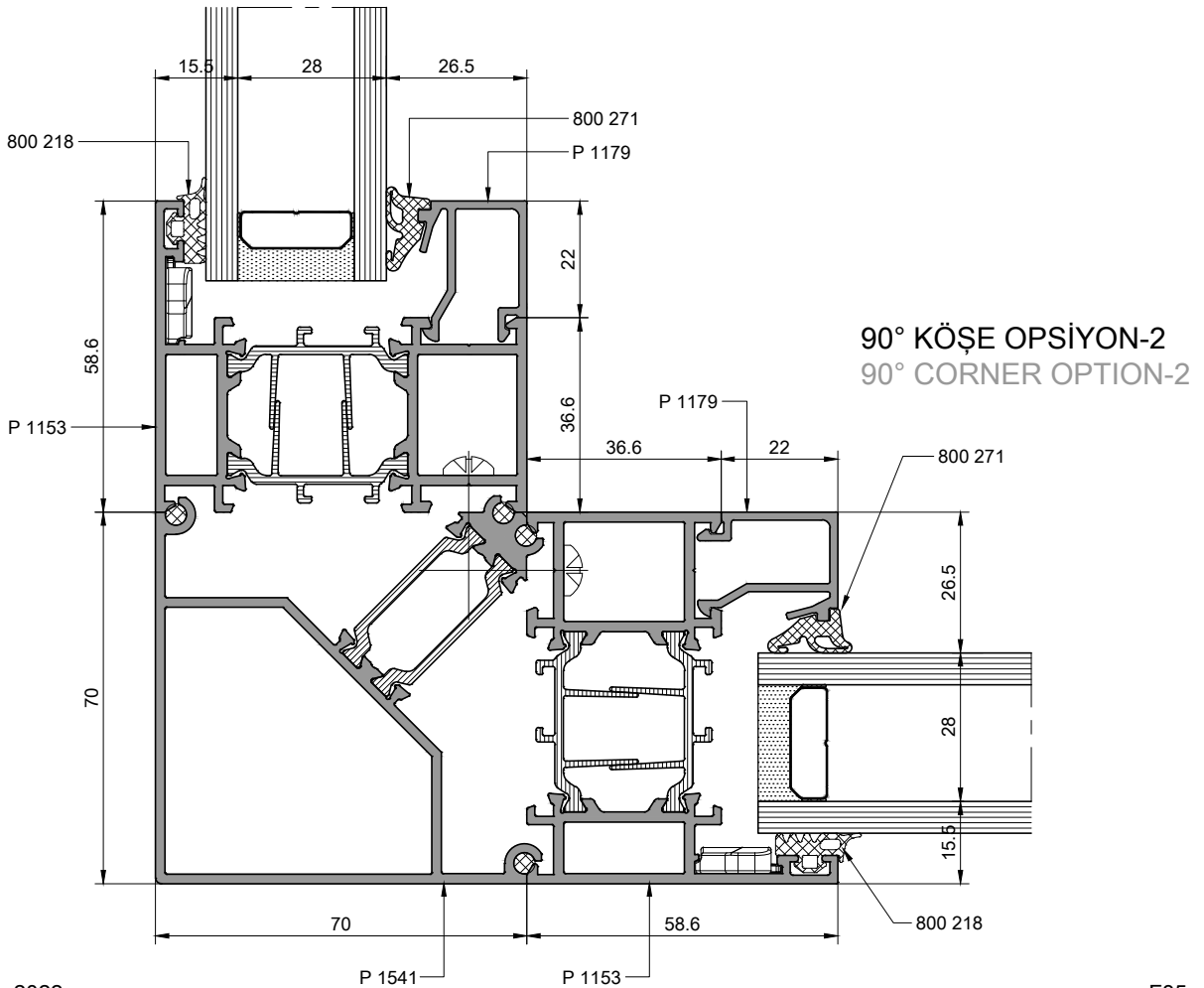
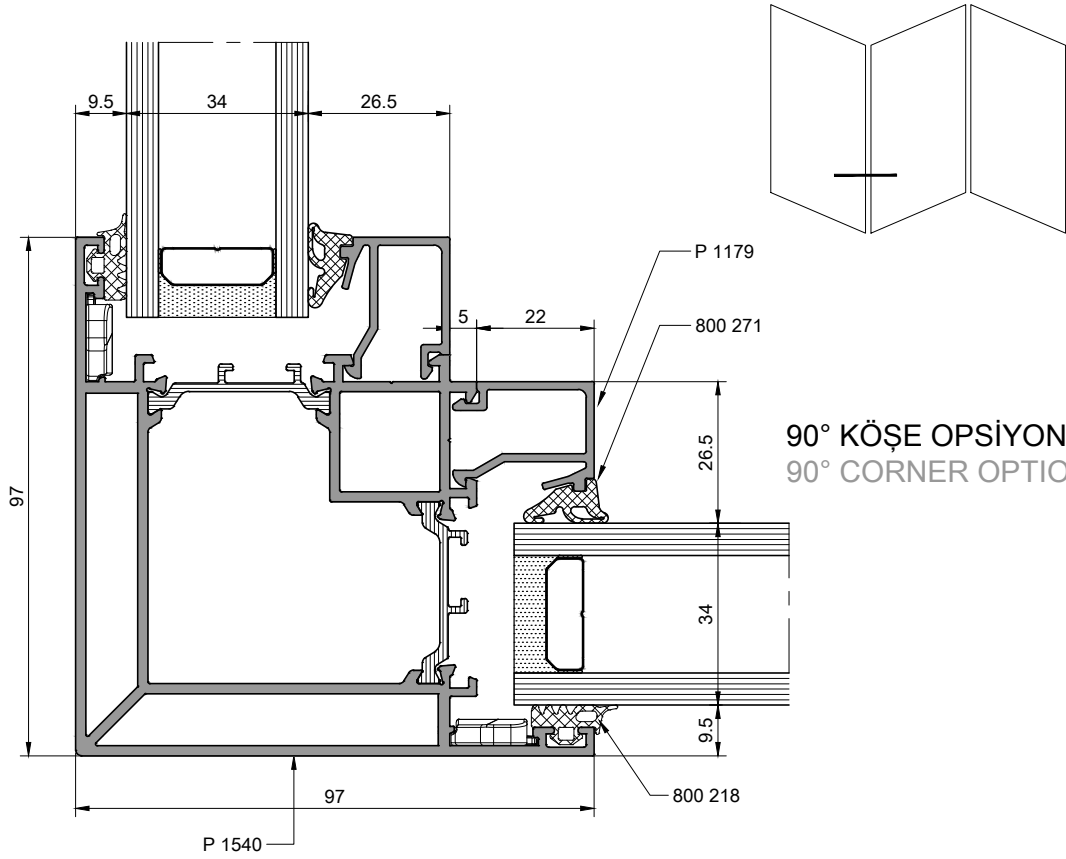
ETEK PROFİLİ OPSİYON-1  
SILL PROFILE OPTION-1



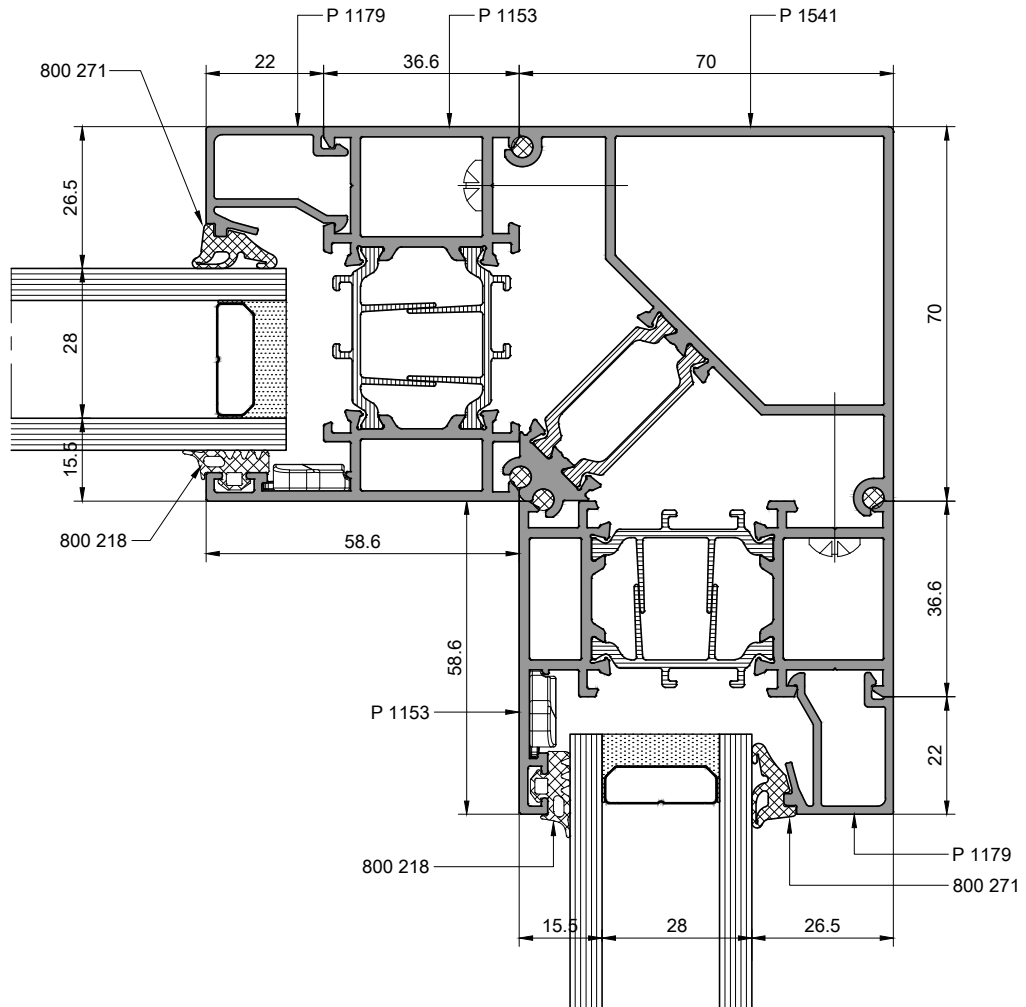
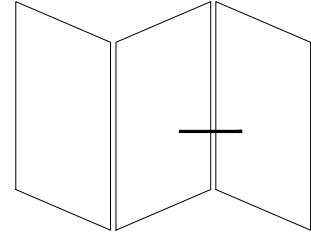
ETEK PROFİLİ OPSİYON-2  
SILL PROFILE OPTION-2

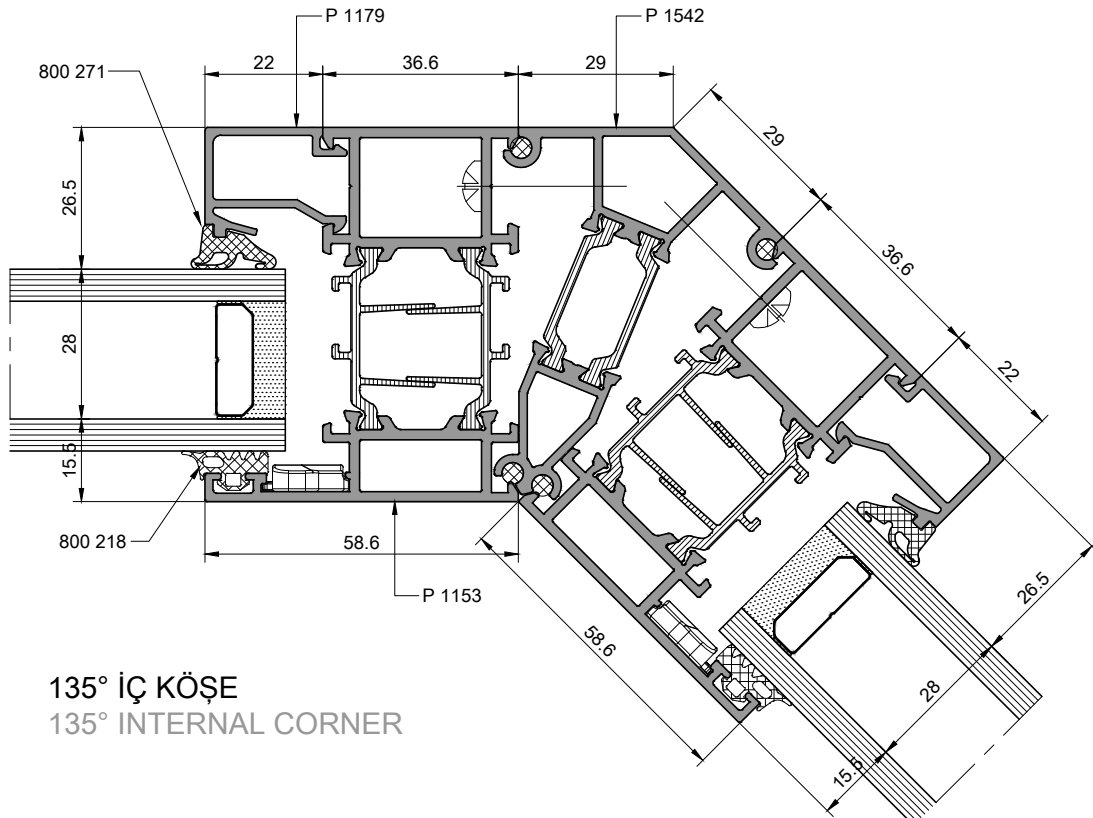
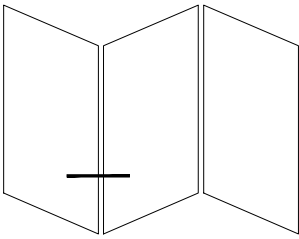
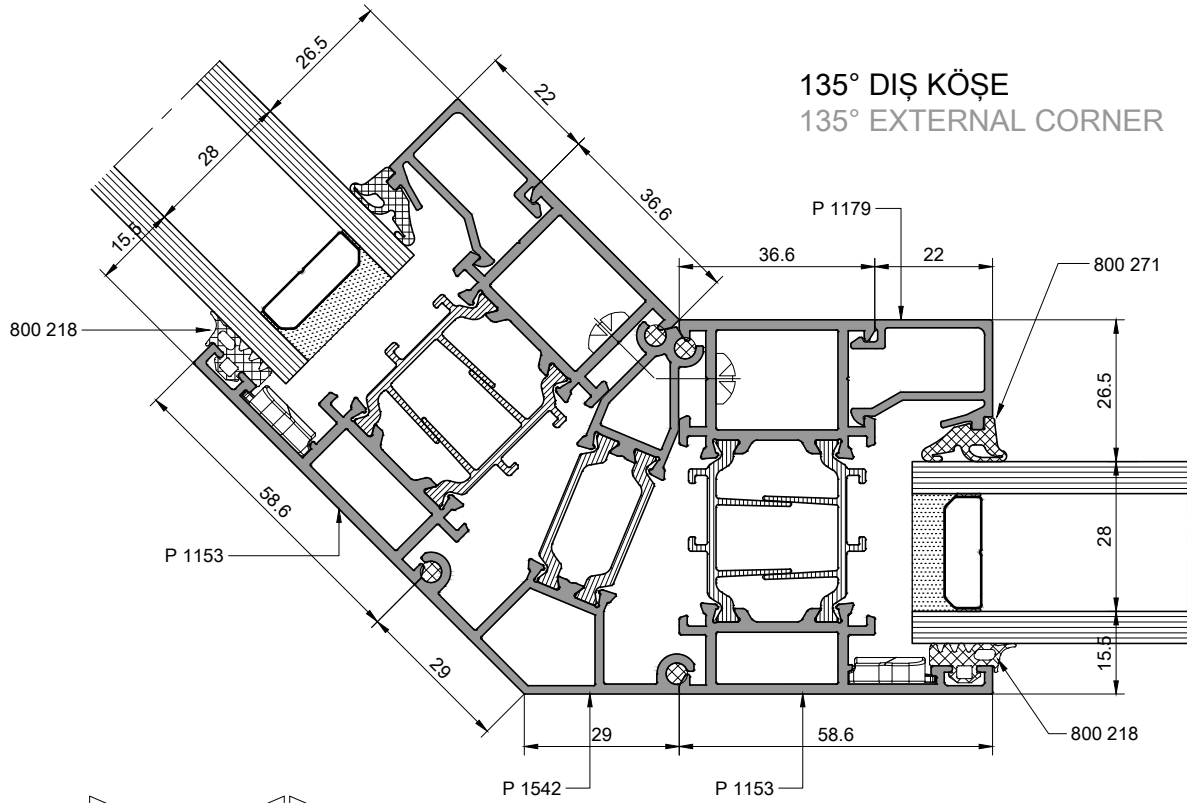


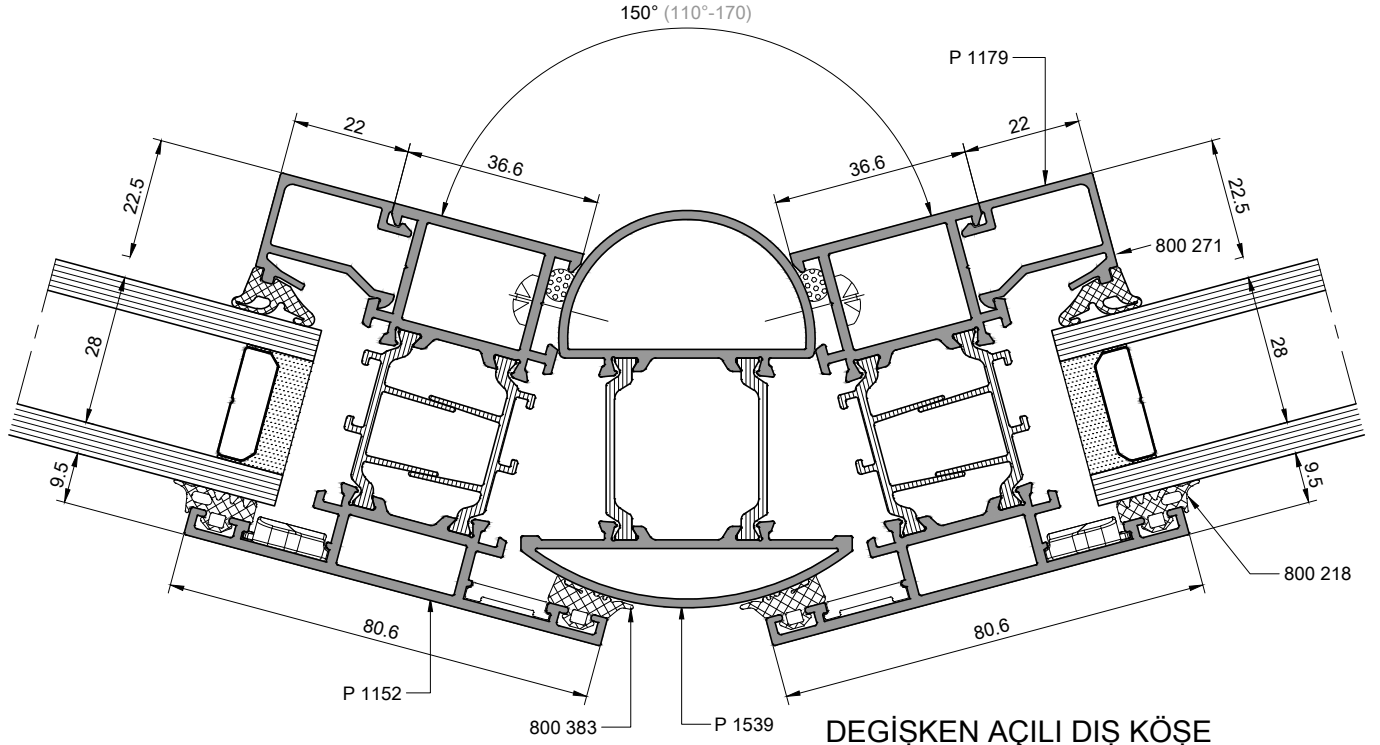




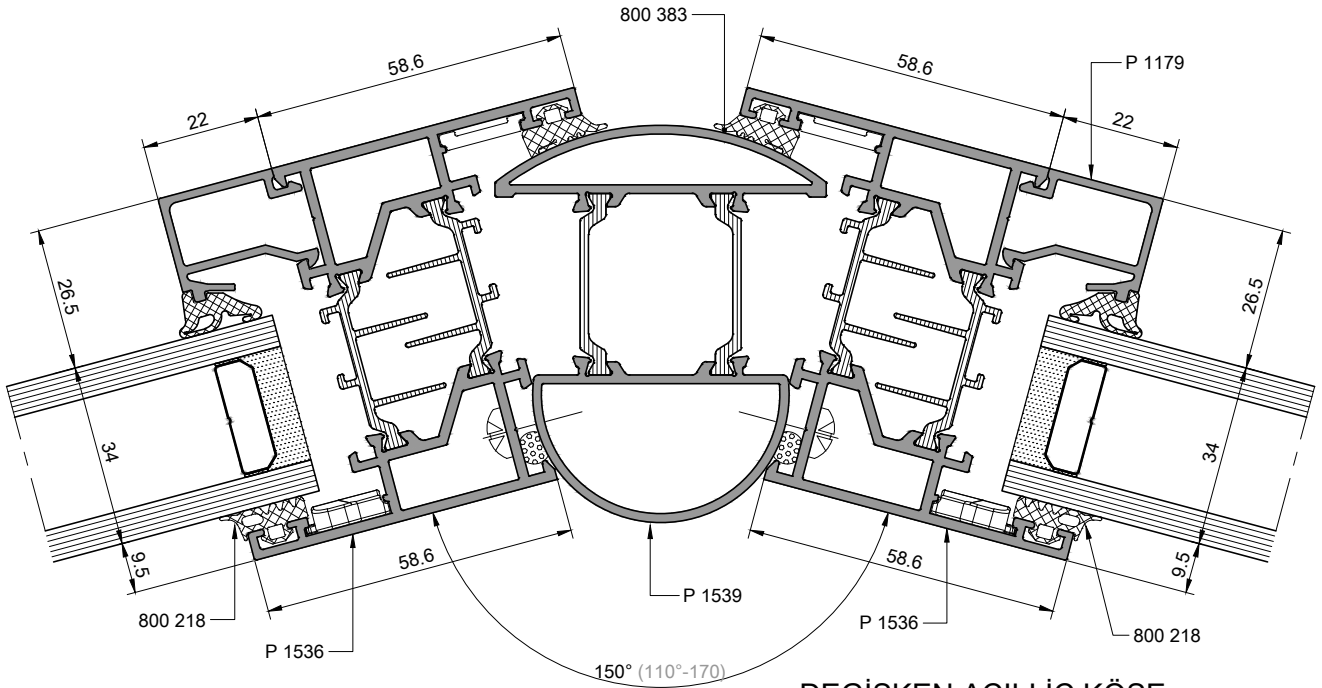
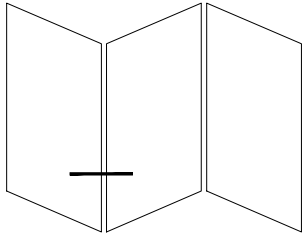








DEĞİŞKEN AÇILI DIŞ KÖŞE  
VARIABLE ANGLE EXTERNAL CORNER



DEĞİŞKEN AÇILI İÇ KÖŞE  
VARIABLE ANGLE INTERNAL CORNER