



# Prime Slide

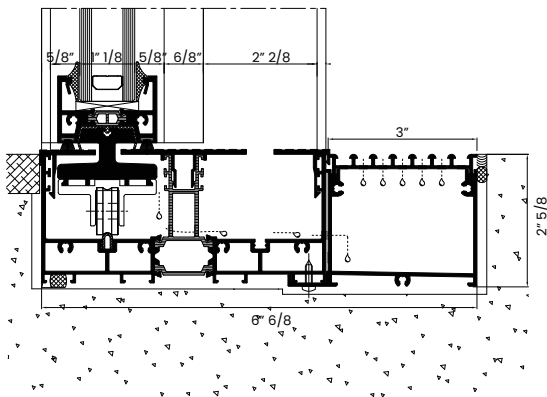
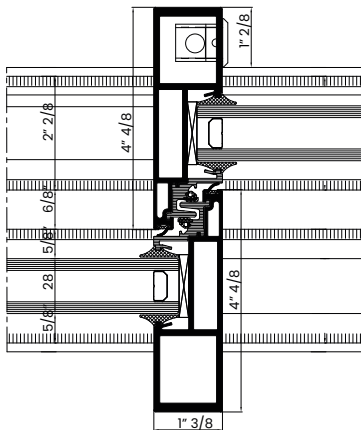
Sliding Systems

Be a part of the premium view

Side and bottom frames are completely hidden inside the floor, presentation a much more transparent area experience in the Invisible Slide series. Hidden frames allow to users with a comfortable movement area by providing a floor transition between inside and outside.

Minimum profile view provides maximum viewing pleasure with elegant clamp combination at Prime Slide series and provide easy operation with manual or smart engine technologies. The system enable to 90 degrees in and out rotation. Furthermore, provide superior security at RC2 class with hidden locking mechanism.

The system, which offers superior insulation values in hot and cold weather with its special wick structure and fiberglass polyamide profile features, provides high energy savings in your places.



## Technical Properties

System Visible Width	Frame	Invisible
	Vent	1" 1/4
System Depth	2 Rail	5" 3/4
	4 Rail	11" 7/8
Sash Depth	2"	
Middle Section Surface	1" 3/8	
Glazing Thickness	1" - 1" 1/8	
Thermal Insulation	3/4" - 1" 1/8	
Max. Sash Height	13' 1"	
Max. Sash Weight	1543 Lbs	

## Performance Values

	EN 12207	Air Permeability	Class 4 - 600 Pa
	EN 12208	Water Tightness	Class 9A - 600 Pa
	EN 12210	Wind Load Resistance	1000 Pa
	EN 12210	Safety Wind Load Resistance	1500 Pa
	EN 1627-1630	Burglar Resistance	RC1/RC2
	EN 10.077-2	Thermal Insulation	Uf: 3,44 W/m².K

# KLEIDCO®

KLEIDCO Building Solutions  
 33 Nassau Ave. Brooklyn, NY 11222  
 usa.kleidco.com | +1 (917) 583-0375

